
Pod Catalog

Modular Eco Pods Collection

ecolution design™

Version: 2026 A003



OUR MISSION

The world is changing rapidly – and that calls for new ways of designing and producing. At Ecolution Design, we believe that sustainability is no longer a choice, but a necessity. That’s why we develop modular acoustic Pods that contribute to both a circular economy and a socially inclusive society.

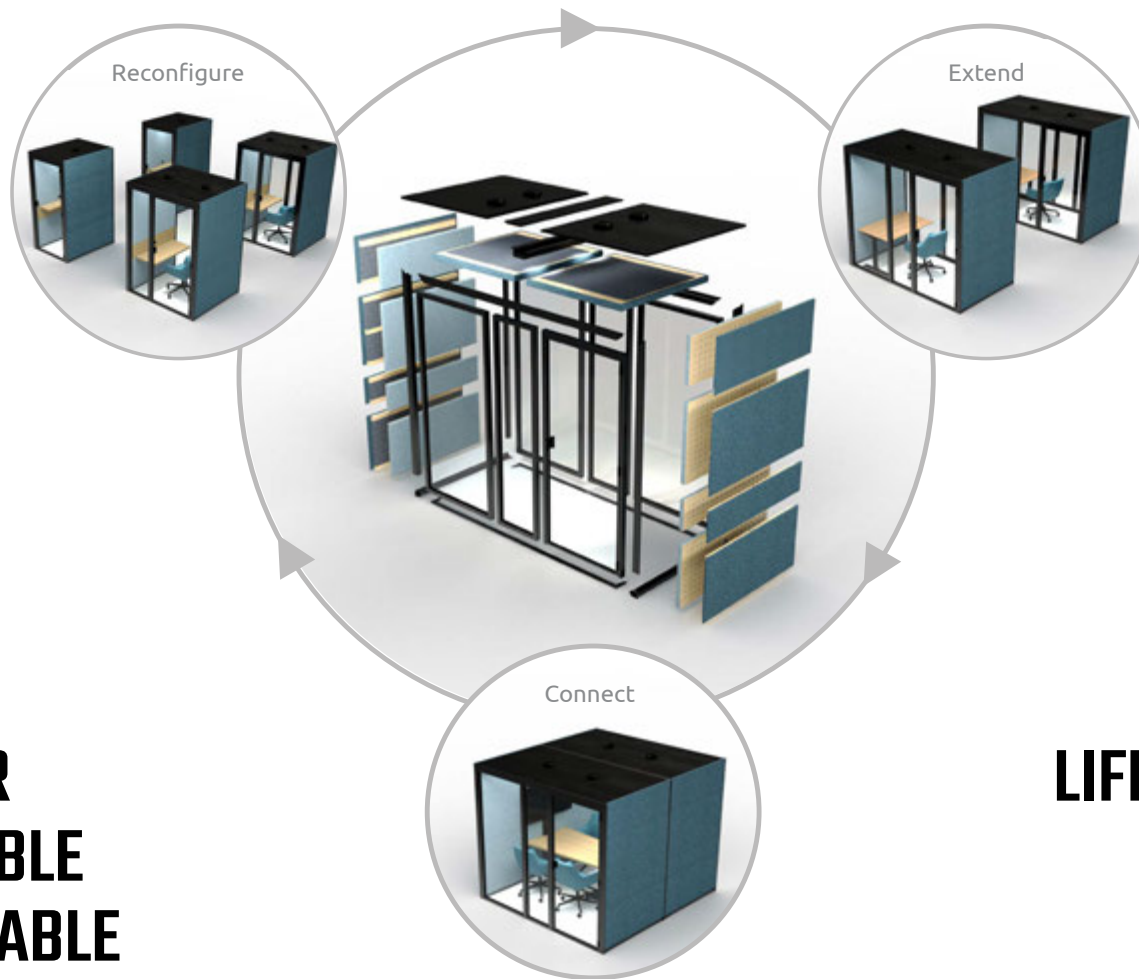
Our products are **locally produced** using repurposed materials such as wood, denim, and aluminum. This not only reduces our CO₂ emissions, but also strengthens local communities. Thanks to their smart, adaptable design, components can be easily replaced and reused – ready to meet the changing needs of modern work environments.

A Pod is not an endpoint, it is a beginning. Its modular nature allows each design to grow with the user. Over time, dimensions, colors, and functionalities can be adapted to suit new preferences, styles, or purposes – without needing to replace the entire Pod. In doing so, we extend the product’s lifespan, reduce waste, and minimize our ecological footprint.

Through **urban mining**, we extract valuable raw materials from existing waste to help prevent the depletion of natural resources. In this way, we co-create a future-proof economy where waste becomes a new resource and design continues to evolve.

At Ecolution Design, design and ecology go hand in hand.

Our mission is to go from **trash to treasure**.



**MODULAR
EXTENDABLE
CONNECTABLE**

All Ecolution's Pods have a modular build-up. The range of Pods is based on the same interchangeable components, allowing for unlimited possibilities. Both the interior and exterior of the Pods are fully customizable. Based on 4 different sides and 9 different front and back of which 31 are shown in detail in this catalog.

Ecolution's Pods are not only extendable in size, but they are also connectable to each other. Individual components and complete setups can be reconfigured over time, providing endless opportunities to use the Pods for a variety of work, collaboration, and gathering activities.

**LIFE-EXTENDING
CIRCULAR
REUSABLE**

Modularity not only allows for customization, but also has sustainability benefits. By being able to replace individual parts or even fabric covers over time, the lifespan of the product increases and CO₂ emissions are reduced.

Furthermore, when your organizational preferences change, the size or configuration of the Pods can be adapted accordingly. This way, rather than discarding the Pods, you can reconfigure them, prolonging their usable life and reducing waste.

The materials used in the Pods are carefully picked to minimize emissions.

Our products are mainly made from post-consumer and post-industrial waste, following circular economy principles in sourcing and production. Therefore, we not only have a high recyclability rate (at least 98%) but also a high input of recycled content (at least 68%) in our products. Moreover, we fully reuse our packaging.

WHAT MAKES US UNIQUE



LOCAL PRODUCTION

By sourcing locally, we support the economic growth of our communities while minimizing our environmental impact and carbon footprint.



CIRCULARITY AND REPURPOSING

Our products are primarily made from post-consumer and post-industrial waste, in line with circular economy principles in both sourcing and production.



ECO PASSPORTS

Each of our products have an Eco Passport that provides full transparency on materials, reusability and, environmental impact. These Eco Passports are available upon request.



SOCIALLY CONSCIOUS

We support local communities and create opportunities for newcomers, students, and individuals with physical or mental disabilities.



WHEELCHAIR ACCESSIBILITY

Our pods are fully accessible without a ramp thanks to their floor-free design, but an optional ramp can be added to provide even easier access for users with wheelchairs — reinforcing our commitment to equality, comfort, and inclusivity.



ACOUSTIC PERFORMANCE

We offer superior acoustic performance (ISO-23551-1 Category A certified and a minimum of 30dB speech level reduction), ensuring maximum privacy and sound absorption and blocking.



MODULAR AND UNIQUELY CUSTOMIZABLE

The interior and exterior of the Pods are fully customizable. All components are interchangeable and based on the same grid, allowing for unlimited possibilities and increasing the product's lifespan.



ADJUSTABLE DOOR POSITION

We offer the only Pod in the world with an adjustable door opening direction, ensuring an appropriate fit in any interior.



EXTENDABLE AND CONNECTABLE

Our Pods are extendable in size and connectable, offering endless possibilities to use the Pods for work, collaboration, and meetings.

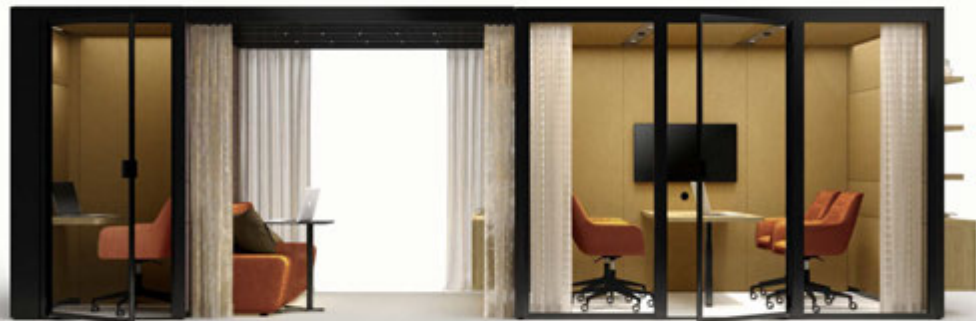


INNOVATIVE DESIGN

We design functional products using mono-materials to ensure sustainability and facilitate future recycling and adaptability for the customer.

TABLE OF CONTENTS

Foreword		Connected Pods		Landscape 1	57-58
Our Mission	2	Connected Pods Overview	34	Landscape 2	59-60
Modular, Connectable, Adaptable	3	Eco Meet M Connected	35	Landscape 3	61-62
What Makes Us Unique	4	Eco Meet M+ Connected	36	Landscape 4	63-64
Table of Contents	5	Eco Multi M Connected	37		
Eco Pod Collection	6	Eco Team M Connected	38	Technical Specifications	
		Eco Team L Connected	39	Lighting & Ventilation	66
Focus Pods		Eco Team XL Connected	40	Electronics and Cable Management	66
Focus Pods Overview	8	Eco Max M Connected	41	Power Outlet Options	67
Eco Phone S	9	Eco Max L Connected	42	30.6 dB Speech Level Reduction	68
Eco Phone L	10	Eco Max XL Connected	43	Adaptable Door Position & Direction	69
Eco Phone S+	11			Connecting Pods	70
Eco Phone M+	12	Create Your Own		Wheelchair Accessibility	71
Eco Work S	13	Interior Options	45	Neuroinclusion Focused Design	72
Eco Work M	14	Exterior Options	46		
Eco Work L	15	Options Overview	48-50	Color Your Own	
Eco Desk S	16	Privacy Slats	51	Color and Texture	74
Eco Desk M	17	Horizontal Slats	52	Recycled Material	75
Eco Desk L	18	Arch Slats	53		
Eco Desk XL	19	Corner Slats	54	Additional Information	
Eco Multi L	20			Sustainable Packaging	76
Eco Multi XL	21	Landscapes		General Delivery Terms	77
		Create Your Landscape	56	Warranty Policy	78
Collaboration Pods					
Collaboration Pods Overview	23				
Eco Meet S	24				
Eco Meet M	25				
Eco Meet L	26				
Eco Meet XL	27				
Eco Meet M+	28				
Eco Meet L+	29				
Eco Meet XL+	30				
Eco Team XL	31				
Eco Max XL	32				



ECO POD COLLECTION

All Pods are assembled using the same generic components. These components are interchangeable, allowing for unlimited possibilities. New configurations can be easily added, existing configurations can be modified, merged, or split. Multiple interior and exterior options are available, including tables, Magnetic Whiteboards, shelving, and Cabinets. Ecolution offers a collection of 56 different sized Pods, of which 31 are shown in detail in this catalog, categorized in Focus, Collaboration and Connected Eco Pods.

Discover our circular, flexible, and future-oriented solutions for every space in this catalog.

FOCUS ECO PODS



Eco Phone S



Eco Phone S+



Eco Phone M+



Eco Phone L



Eco Work S



Eco Work M



Eco Work L



Eco Desk S



Eco Desk M



Eco Desk L



Eco Desk XL



Eco Multi L



Eco Multi XL

COLLABORATION ECO PODS



Eco Meet S



Eco Meet M



Eco Meet L



Eco Meet XL



Eco Meet M+



Eco Meet L+



Eco Meet XL+



Eco Team XL



Eco Max XL

CONNECTED ECO PODS



Eco Multi M
Connected



Eco Meet M
Connected



Eco Meet M+
Connected



Eco Team M
Connected



Eco Team L
Connected



Eco Team XL
Connected



Eco Max M
Connected



Eco Max L
Connected



Eco Max XL
Connected

Focus Pods



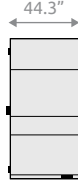


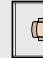
FOCUS ECO PODS

Focus Pods offer an ideal workspace for brief retreats into a compact, enclosed area where conditions are optimized for concentration.

Optional power outlets above the work surface allow you to charge your laptop or phone.

Built-in lighting and silence within the Pod make these spaces perfect for video calls.

- Table tops can be positioned on the side or back wall, depending on preference
- Table tops are available at heights of 29.5" or 41.3" from the floor
- Height-adjustable desks are connected to power outlets located in the wall at 19.7" above the floor
- Optional adjustable lighting and ventilation are available to further optimize the workspace
- The door hinge can be configured to the opposite side, if required

	 45.6"	 51.5"	 67.6"	 85.8"	 107.9"
Short  44.3" Medium  57" Long  69.8" XL  88.6"	 Eco Phone S pg 9	 Eco Phone S+ pg 11	 Eco Work S pg 13	 Eco Desk S pg 16	 Eco Multi S *by request
	 Eco Phone M *by request	 Eco Phone M+ pg 12	 Eco Work M pg 14	 Eco Desk M pg 17	 Eco Multi M *by request
	 Eco Phone L pg 10	 Eco Phone L+ *by request	 Eco Work L pg 15	 Eco Desk L pg 18	 Eco Multi L pg 20
	 Eco Phone XL *by request	 Eco Phone XL+ *by request	 Eco Work XL *by request	 Eco Desk XL pg 19	 Eco Multi XL pg 21

ECO PHONE S

Focus Pods Collection



Glass Back



Fully Upholstered Back

CAPACITY

1 Person

WEIGHT

Pod: 784.98 lbs
Crate: 202.86 lbs

ACOUSTICS

30.2 dB Cat. A
ISO 23351-1

AIRFLOW

82 CFM
139 m³/h

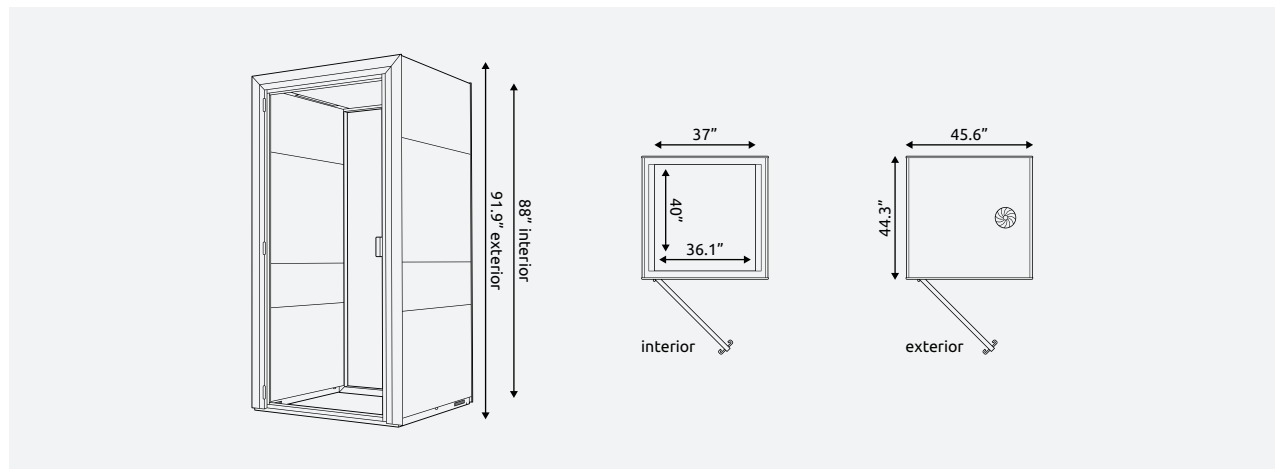
OPTIONAL

- Interior & Exterior Options (pg 45-46)
- Adaptable Ventilation & Lighting (pg 66)
- Power Outlets (pg 67)

Pod comes with access holes for client-installed sprinkler systems

INCLUDED

- x1 LED-Lights 5 Watt with Sensor
- Air Ventilation
- Door with Magnetic Closure



ECO PHONE L

Focus Pods Collection



Glass Back



Fully Upholstered Back

CAPACITY

1 Person

WEIGHT

Pod: 1016.41 lbs
Crate: 202.86 lbs

ACOUSTICS

30.2 dB Cat. A
ISO 23351-1

AIRFLOW

164 CFM
279 m³/h

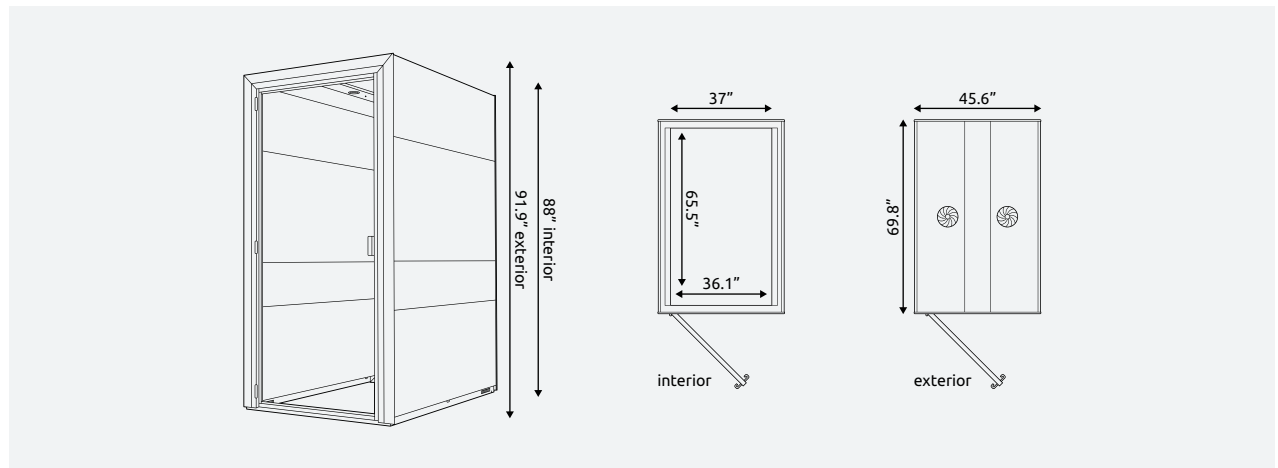
OPTIONAL

- Interior & Exterior Options (pg 45-46)
- Adaptable Ventilation & Lighting (pg 66)
- Power Outlets (pg 67)

Pod comes with access holes for client-installed sprinkler systems

INCLUDED

- x1 LED-Lights 5 Watt with Sensor
- Air Ventilation
- Door with Magnetic Closure



ECO PHONE S+

Focus Pods Collection



Glass Back



Fully Upholstered Back

CAPACITY

1 Person

WEIGHT

Pod: 853.34 lbs
Crate: 202.86 lbs

ACOUSTICS

30.2 dB Cat. A
ISO 23351-1

AIRFLOW

82 CFM
139 m³/h

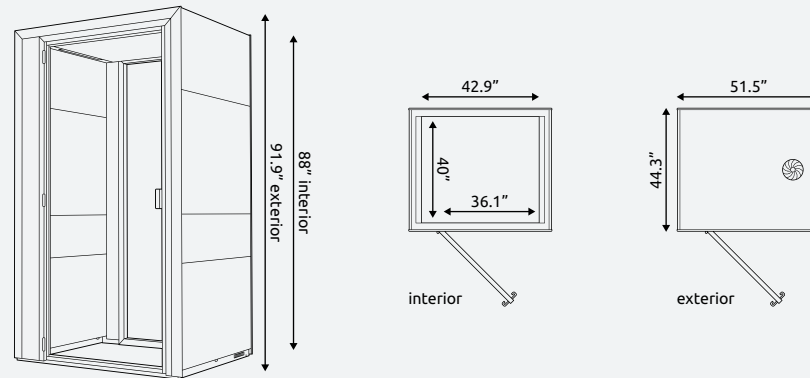
OPTIONAL

- Interior & Exterior Options (pg 45-46)
- Adaptable Ventilation & Lighting (pg 66)
- Power Outlets (pg 67)

Pod comes with access holes for client-installed sprinkler systems

INCLUDED

- x1 LED-Lights 5 Watt with Sensor
- Air Ventilation
- Door with Magnetic Closure



ECO PHONE M+

Focus Pods Collection



Glass Back



Fully Upholstered Back

CAPACITY

1 Person

WEIGHT

Pod: 976.72 lbs
Crate: 202.86 lbs

ACOUSTICS

30.2 dB Cat. A
ISO 23351-1

AIRFLOW

82 CFM
139 m³/h

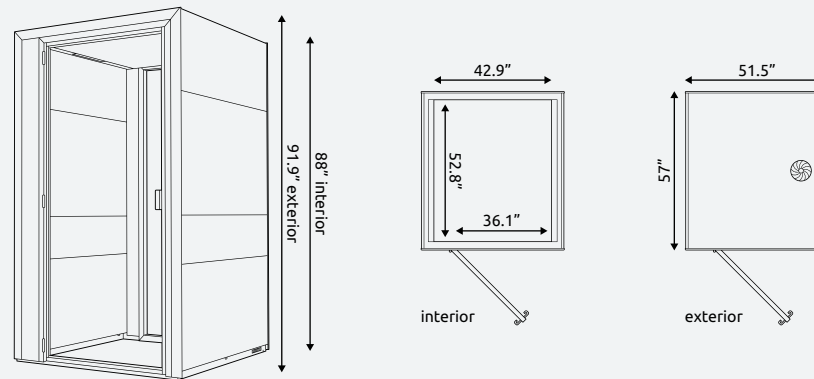
OPTIONAL

- Interior & Exterior Options (pg 45-46)
- Adaptable Ventilation & Lighting (pg 66)
- Power Outlets (pg 67)

Pod comes with access holes for client-installed sprinkler systems

INCLUDED

- x1 LED-Lights 5 Watt with Sensor
- Air Ventilation
- Door with Magnetic Closure





Glass Back



Fully Upholstered Back

CAPACITY

1 Person

WEIGHT

Pod: 970.20 lbs
Crate: 202.86 lbs

ACOUSTICS

30.2 dB Cat. A
ISO 23351-1

AIRFLOW

82 CFM
139 m³/h

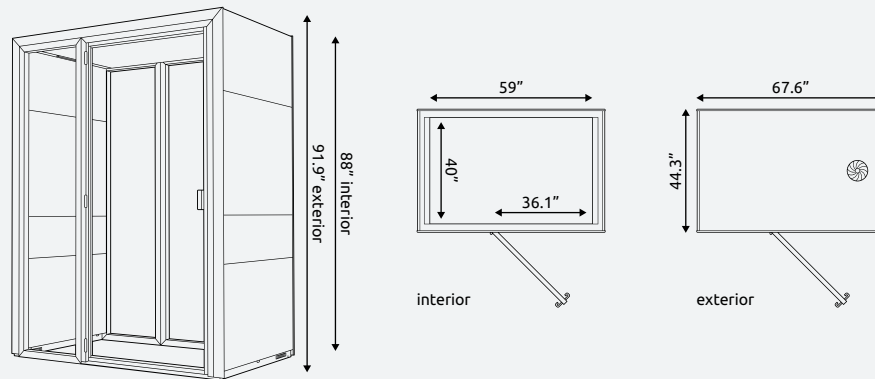
OPTIONAL

- Interior & Exterior Options (pg 45-46)
- Adaptable Ventilation & Lighting (pg 66)
- Power Outlets (pg 67)

Pod comes with access holes for client-installed sprinkler systems

INCLUDED

- x1 LED-Lights 5 Watt with Sensor
- Air Ventilation
- Door with Magnetic Closure



ECO WORK M

Focus Pods Collection



Glass Back



Fully Upholstered Back

CAPACITY

1 Person

WEIGHT

Pod: 1097.79 lbs
Crate: 202.86 lbs

ACOUSTICS

30.2 dB Cat. A
ISO 23351-1

AIRFLOW

82 CFM
139 m³/h

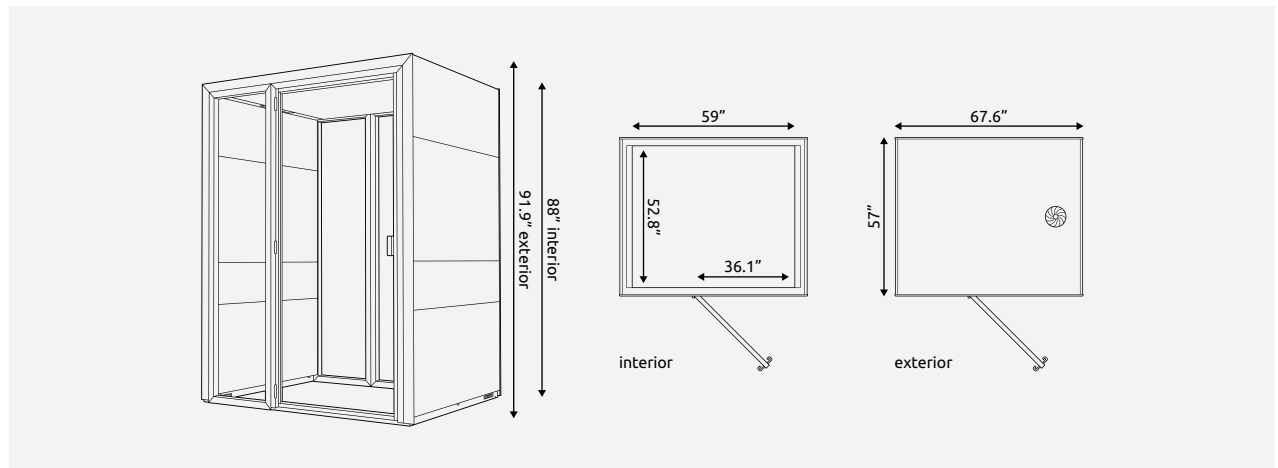
OPTIONAL

- Interior & Exterior Options (pg 45-46)
- Adaptable Ventilation & Lighting (pg 66)
- Power Outlets (pg 67)

Pod comes with access holes for client-installed sprinkler systems

INCLUDED

- x1 LED-Lights 5 Watt with Sensor
- Air Ventilation
- Door with Magnetic Closure





Glass Back



Fully Upholstered Back

CAPACITY

1 or 2 People

WEIGHT

Pod: 1265.67 lbs
Crate: 202.86 lbs

ACOUSTICS

30.2 dB Cat. A
ISO 23351-1

AIRFLOW

164 CFM
279 m³/h

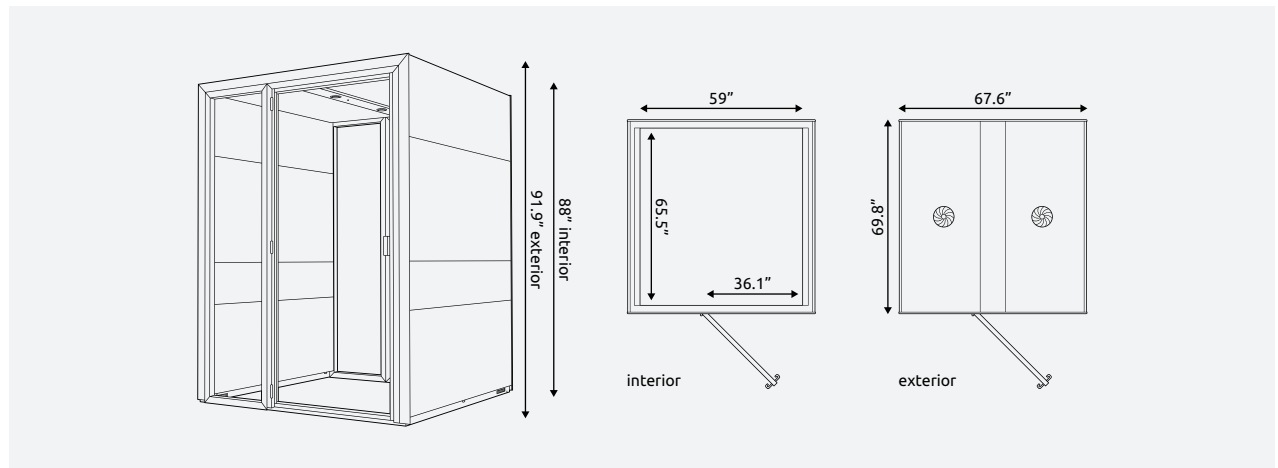
OPTIONAL

- Interior & Exterior Options (pg 45-46)
- Adaptable Ventilation & Lighting (pg 66)
- Power Outlets (pg 67)

Pod comes with access holes for client-installed sprinkler systems

INCLUDED

- x2 LED-Lights 5 Watt with Sensor
- Air Ventilation
- Door with Magnetic Closure



ECO DESK S



Glass Back



Fully Upholstered Back

CAPACITY

1 or 2 People

WEIGHT

Pod: 1139.49 lbs
Crate: 202.86 lbs

ACOUSTICS

30.2 dB Cat. A
ISO 23351-1

AIRFLOW

164 CFM
279 m³/h

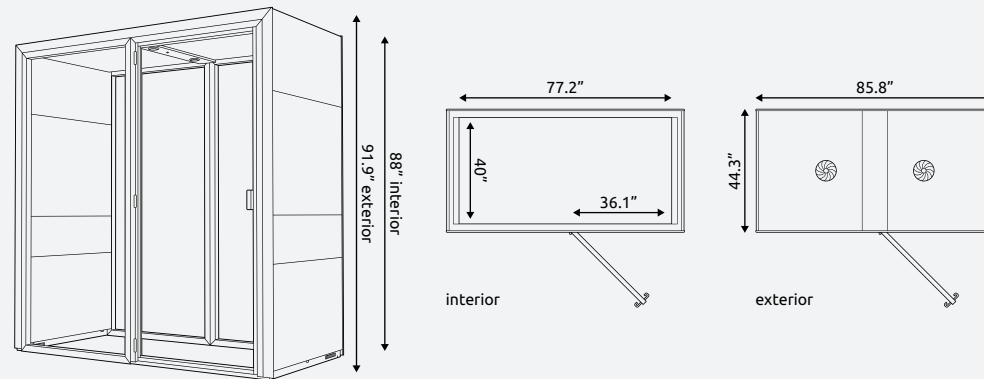
OPTIONAL

- Interior & Exterior Options (pg 45-46)
- Adaptable Ventilation & Lighting (pg 66)
- Power Outlets (pg 67)

Pod comes with access holes for client-installed sprinkler systems

INCLUDED

- x2 LED-Lights 5 Watt with Sensor
- Air Ventilation
- Door with Magnetic Closure



ECO DESK M

Focus Pods Collection



Glass Back



Fully Upholstered Back

CAPACITY

1 or 2 People

WEIGHT

Pod: 1298.85 lbs
Crate: 202.86 lbs

ACOUSTICS

30.2 dB Cat. A
ISO 23351-1

AIRFLOW

164 CFM
279 m³/h

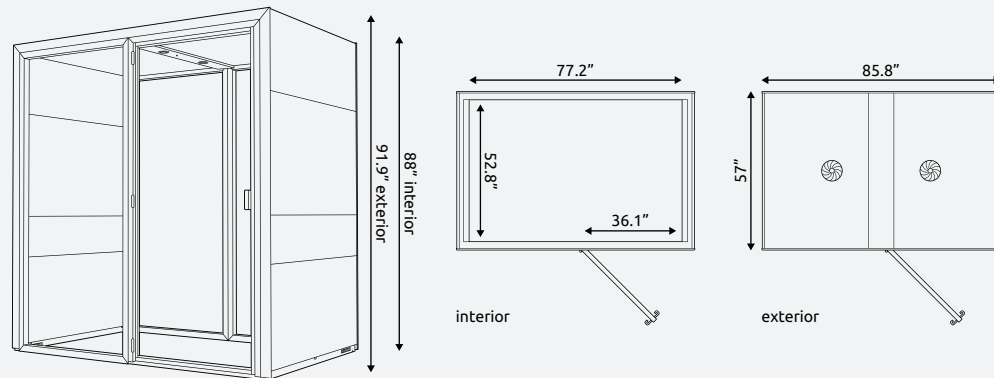
OPTIONAL

- Interior & Exterior Options (pg 45-46)
- Adaptable Ventilation & Lighting (pg 66)
- Power Outlets (pg 67)

Pod comes with access holes for client-installed sprinkler systems

INCLUDED

- x2 LED-Lights 5 Watt with Sensor
- Air Ventilation
- Door with Magnetic Closure



ECO DESK L



Glass Back



Fully Upholstered Back

CAPACITY

1 or 2 People
(1 Wheelchair)

WEIGHT

Pod: 1437.66 lbs
Crate: 202.86 lbs

ACOUSTICS

30.2 dB Cat. A
ISO 23351-1

AIRFLOW

164 CFM
279 m³/h

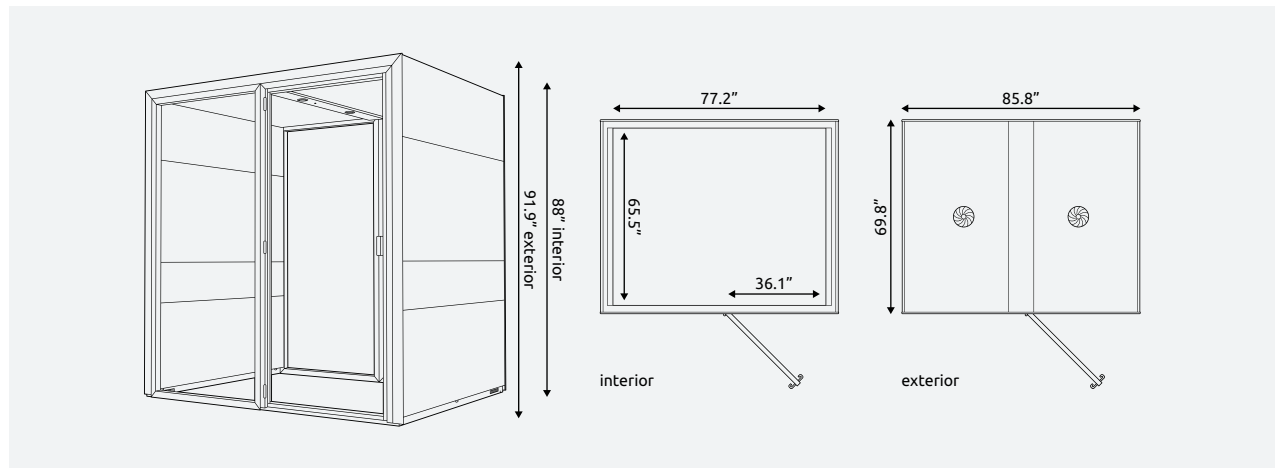
OPTIONAL

- Interior & Exterior Options (pg 45-46)
- Adaptable Ventilation & Lighting (pg 66)
- Power Outlets (pg 67)

Pod comes with access holes for client-installed sprinkler systems

INCLUDED

- x2 LED-Lights 5 Watt with Sensor
- Air Ventilation
- Door with Magnetic Closure



ECO DESK XL



Glass Back



Fully Upholstered Back

CAPACITY

1 or 2 People
(1 Wheelchair)

WEIGHT

Pod: 1664.78 lbs
Crate: 405.72 lbs

ACOUSTICS

30.2 dB Cat. A
ISO 23351-1

AIRFLOW

328 CFM
557 m³/h

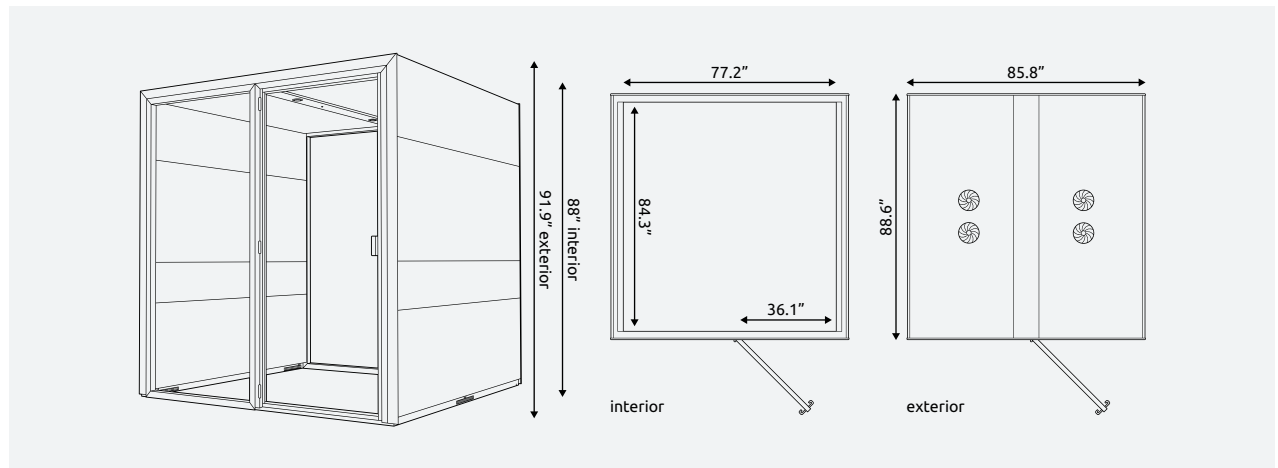
OPTIONAL

- Interior & Exterior Options (pg 45-46)
- Adaptable Ventilation & Lighting (pg 66)
- Power Outlets (pg 67)

Pod comes with access holes for client-installed sprinkler systems

INCLUDED

- x2 LED-Lights 5 Watt with Sensor
- Air Ventilation
- Door with Magnetic Closure



ECO MULTI L

Focus Pods Collection



Glass Back



Upholstered Mid Back



Fully Upholstered Back

CAPACITY

1 to 4 People
(1 Wheelchair)

WEIGHT

Pod: 1675.80 lbs
Crate: 202.86 lbs

ACOUSTICS

30.2 dB Cat. A
ISO 23351-1

AIRFLOW

328 CFM
557 m³/h

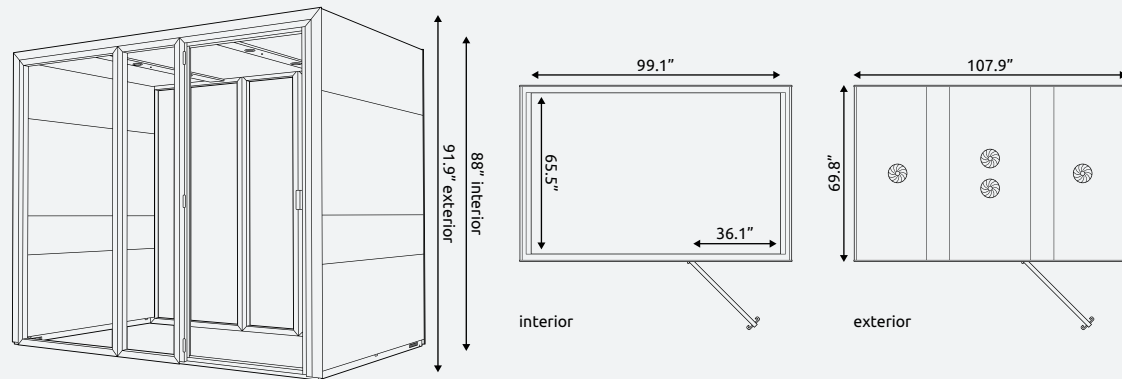
OPTIONAL

- Interior & Exterior Options (pg 45-46)
- Adaptable Ventilation & Lighting (pg 66)
- Power Outlets (pg 67)

Pod comes with access holes for client-installed sprinkler systems

INCLUDED

- x4 LED-Lights 5 Watt with Sensor
- Air Ventilation
- Door with Magnetic Closure



ECO MULTI XL

Focus Pods Collection



Glass Back



Upholstered Mid Back



Fully Upholstered Back

CAPACITY

1 to 6 People
(1 Wheelchair)

WEIGHT

Pod: 1922.76 lbs
Crate: 405.72 lbs

ACOUSTICS

30.2 dB Cat. A
ISO 23351-1

AIRFLOW

328 CFM
557 m³/h

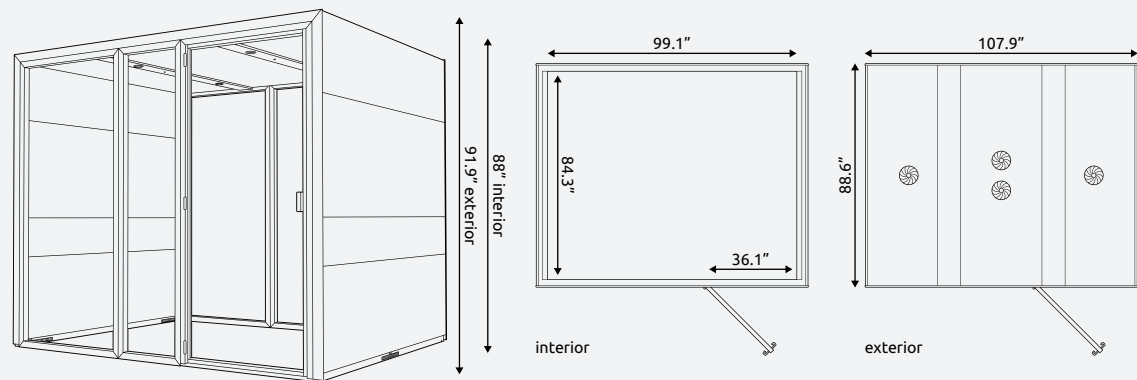
OPTIONAL

- Interior & Exterior Options (pg 45-46)
- Adaptable Ventilation & Lighting (pg 66)
- Power Outlets (pg 67)

Pod comes with access holes for client-installed sprinkler systems

INCLUDED

- x4 LED-Lights 5 Watt with Sensor
- Air Ventilation
- Door with Magnetic Closure



Collaboration Pods



COLLABORATION ECO PODS

Collaboration Pods provide an ideal environment for meetings in optimal conditions. They feature comfortable Sofas or can be equipped with individual seating such as stools or swivel chairs.

A Monitor Mount can be mounted on the back or side wall to share digital content or facilitate video calls with multiple participants. The tapered table tops are designed to provide an unobstructed view of the screen.

- Built-in Column Tables are available in a variety of sizes at either 29.5" or 41.3" from the floor.
- Column Tables available in heights of 29.5" or 41.3" from the floor, in various sizes.
- Optional adjustable lighting and ventilation to optimize the meeting environment.
- The door hinge can be repositioned to the opposite side. An additional rear door is available.



ECO MEET S

Collaboration Pods Collection



Glass Back



Upholstered Mid Back



Fully Upholstered Back

CAPACITY

2 People

WEIGHT

Pod: 1221.27 lbs
Crate: 202.86 lbs

ACOUSTICS

30.2 dB Cat. A
ISO 23351-1

AIRFLOW

164 CFM
279 m³/h

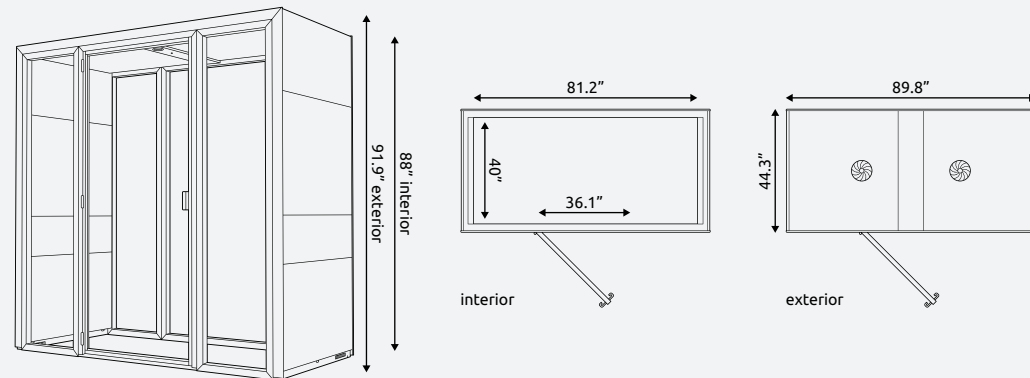
OPTIONAL

- Interior & Exterior Options (pg 45-46)
- Adaptable Ventilation & Lighting (pg 66)
- Power Outlets (pg 67)

Pod comes with access holes for client-installed sprinkler systems

INCLUDED

- x2 LED-Lights 5 Watt with Sensor
- Air Ventilation
- Door with Magnetic Closure



ECO MEET M

Collaboration Pods Collection



Glass Back



Upholstered Mid Back



Fully Upholstered Back

CAPACITY

4 People

WEIGHT

Pod: 1221.27 lbs
Crate: 202.86 lbs

ACOUSTICS

30.2 dB Cat. A
ISO 23351-1

AIRFLOW

328 CFM
557 m³/h

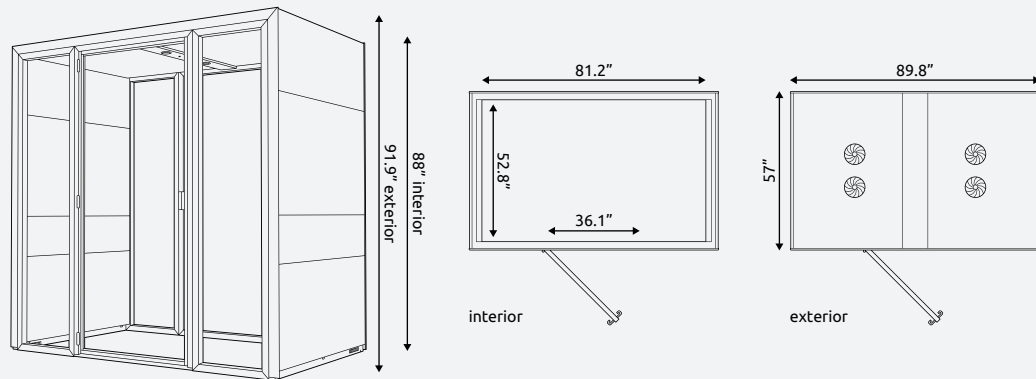
OPTIONAL

- Interior & Exterior Options (pg 45-46)
- Adaptable Ventilation & Lighting (pg 66)
- Power Outlets (pg 67)

Pod comes with access holes for client-installed sprinkler systems

INCLUDED

- x2 LED-Lights 5 Watt with Sensor
- Air Ventilation
- Door with Magnetic Closure



ECO MEET L

Collaboration Pods Collection



Glass Back



Upholstered Mid Back



Fully Upholstered Back

CAPACITY

4 to 6 People
(1 Wheelchair)

WEIGHT

Pod: 1529.67 lbs
Crate: 202.86 lbs

ACOUSTICS

30.2 dB Cat. A
ISO 23351-1

AIRFLOW

328 CFM
557 m³/h

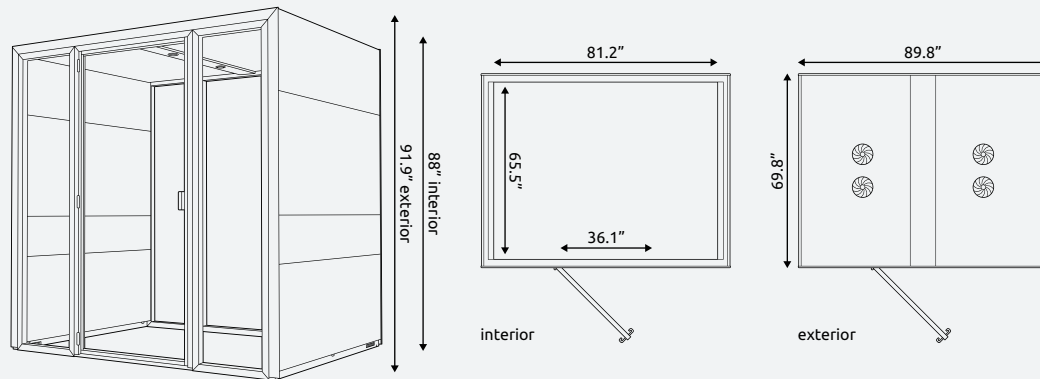
OPTIONAL

- Interior & Exterior Options (pg 45-46)
- Adaptable Ventilation & Lighting (pg 66)
- Power Outlets (pg 67)

Pod comes with access holes for client-installed sprinkler systems

INCLUDED

- x2 LED-Lights 5 Watt with Sensor
- Air Ventilation
- Door with Magnetic Closure



ECO MEET XL

Collaboration Pods Collection



Glass Back



Upholstered Mid Back



Fully Upholstered Back

CAPACITY

6 to 8 People
(1 Wheelchair)

WEIGHT

Pod: 1710.48 lbs
Crate: 405.72 lbs

ACOUSTICS

30.2 dB Cat. A
ISO 23351-1

AIRFLOW

328 CFM
557 m³/h

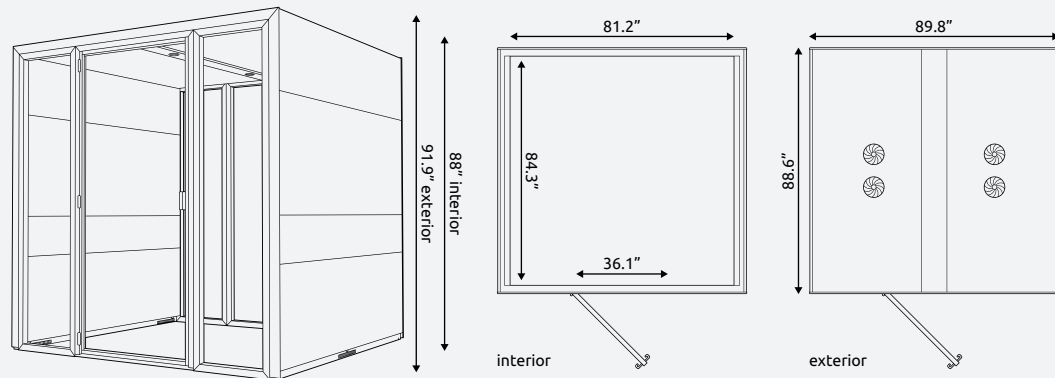
OPTIONAL

- Interior & Exterior Options (pg 45-46)
- Adaptable Ventilation & Lighting (pg 66)
- Power Outlets (pg 67)

Pod comes with access holes for client-installed sprinkler systems

INCLUDED

- x2 LED-Lights 5 Watt with Sensor
- Air Ventilation
- Door with Magnetic Closure



ECO MEET M+

Collaboration Pods Collection



Glass Back



Upholstered Mid Back



Fully Upholstered Back

CAPACITY

4 People

WEIGHT

Pod: 1525.26 lbs
Crate: 202.86 lbs

ACOUSTICS

30.2 dB Cat. A
ISO 23351-1

AIRFLOW

328 CFM
557 m³/h

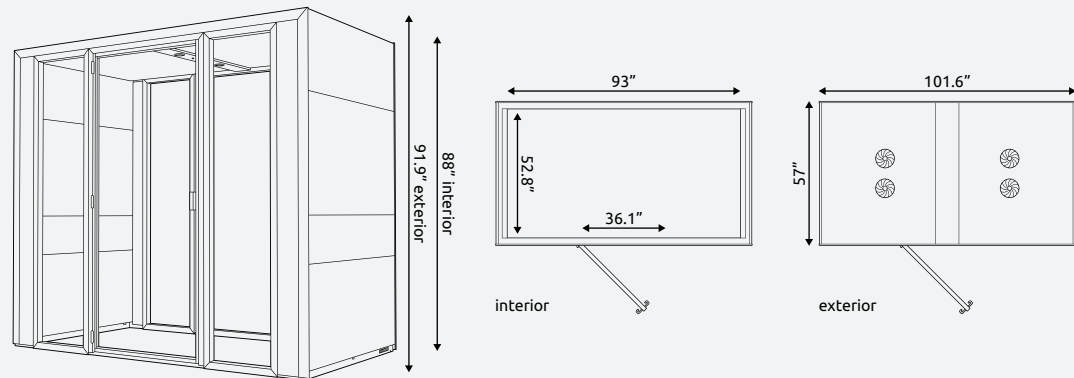
OPTIONAL

- Interior & Exterior Options (pg 45-46)
- Adaptable Ventilation & Lighting (pg 66)
- Power Outlets (pg 67)

Pod comes with access holes for client-installed sprinkler systems

INCLUDED

- x2 LED-Lights 5 Watt with Sensor
- Air Ventilation
- Door with Magnetic Closure



ECO MEET L+

Collaboration Pods Collection



Glass Back



Upholstered Mid Back



Fully Upholstered Back

CAPACITY

4 to 6 People
(1 Wheelchair)

WEIGHT

Pod: 1691.74 lbs
Crate: 202.86 lbs

ACOUSTICS

30.2 dB Cat. A
ISO 23351-1

AIRFLOW

328 CFM
557 m³/h

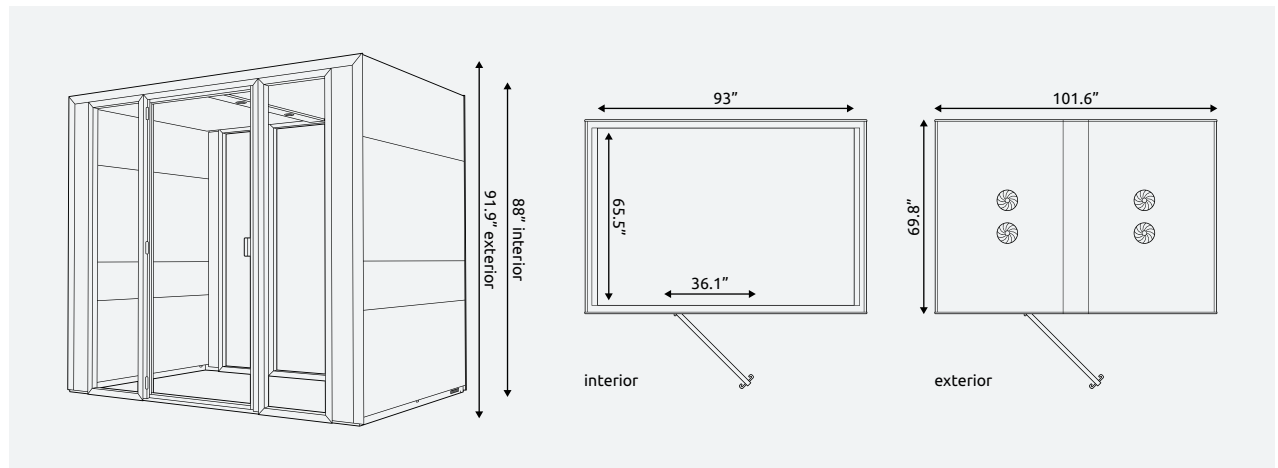
OPTIONAL

- Interior & Exterior Options (pg 45-46)
- Adaptable Ventilation & Lighting (pg 66)
- Power Outlets (pg 67)

Pod comes with access holes for client-installed sprinkler systems

INCLUDED

- x2 LED-Lights 5 Watt with Sensor
- Air Ventilation
- Door with Magnetic Closure



ECO MEET XL+

Collaboration Pods Collection



Glass Back



Upholstered Mid Back



Fully Upholstered Back

CAPACITY

6 to 8 People
(1 Wheelchair)

WEIGHT

Pod: 1913.94 lbs
Crate: 405.72 lbs

ACOUSTICS

30.2 dB Cat. A
ISO 23351-1

AIRFLOW

328 CFM
557 m³/h

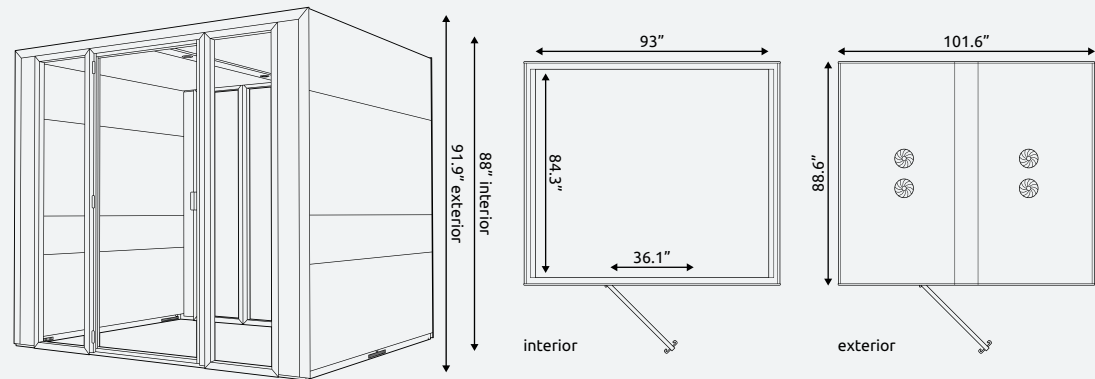
OPTIONAL

- Interior & Exterior Options (pg 45-46)
- Adaptable Ventilation & Lighting (pg 66)
- Power Outlets (pg 67)

Pod comes with access holes for client-installed sprinkler systems

INCLUDED

- x2 LED-Lights 5 Watt with Sensor
- Air Ventilation
- Door with Magnetic Closure



ECO TEAM XL

Collaboration Pods Collection



Glass Back



Upholstered Mid Back



Fully Upholstered Back

CAPACITY

6 to 8 People
(1 Wheelchair)

WEIGHT

Pod: 2116.80 lbs
Crate: 405.72 lbs

ACOUSTICS

30.2 dB Cat. A
ISO 23351-1

AIRFLOW

492 CFM
836 m³/h

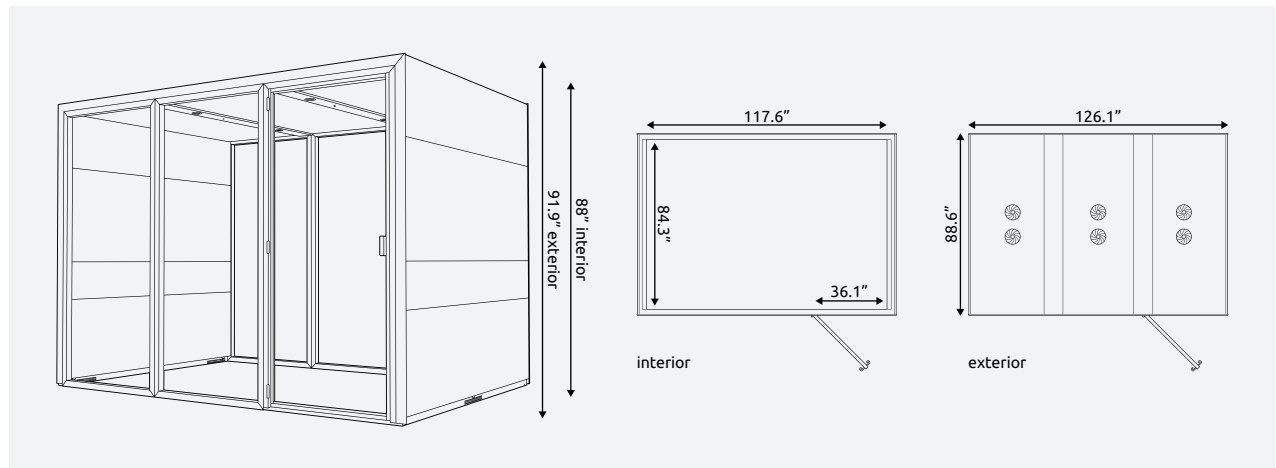
OPTIONAL

- Interior & Exterior Options (pg 45-46)
- Adaptable Ventilation & Lighting (pg 66)
- Power Outlets (pg 67)

Pod comes with access holes for client-installed sprinkler systems

INCLUDED

- x4 LED-Lights 5 Watt with Sensor
- Air Ventilation
- Door with Magnetic Closure



ECO MAX XL

Collaboration Pods Collection



Glass Back



Fully Upholstered Back

CAPACITY

8 to 10 People
(1 Wheelchair)

WEIGHT

Pod: 2557.80 lbs
Crate: 405.72 lbs

ACOUSTICS

30.2 dB Cat. A
ISO 23351-1

AIRFLOW

492 CFM
836 m³/h

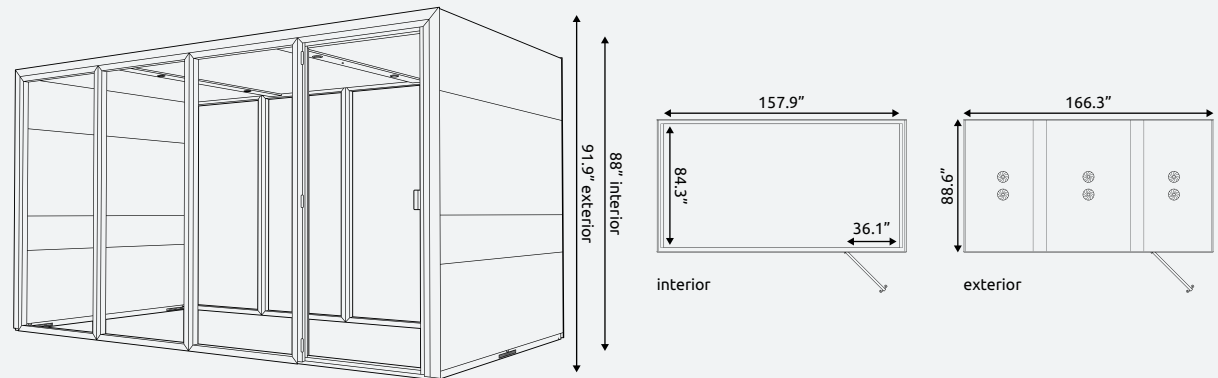
OPTIONAL

- Interior & Exterior Options (pg 45-46)
- Adaptable Ventilation & Lighting (pg 66)
- Power Outlets (pg 67)

Pod comes with access holes for client-installed sprinkler systems

INCLUDED

- x4 LED-Lights 5 Watt with Sensor
- Air Ventilation
- Door with Magnetic Closure



Connected Pods

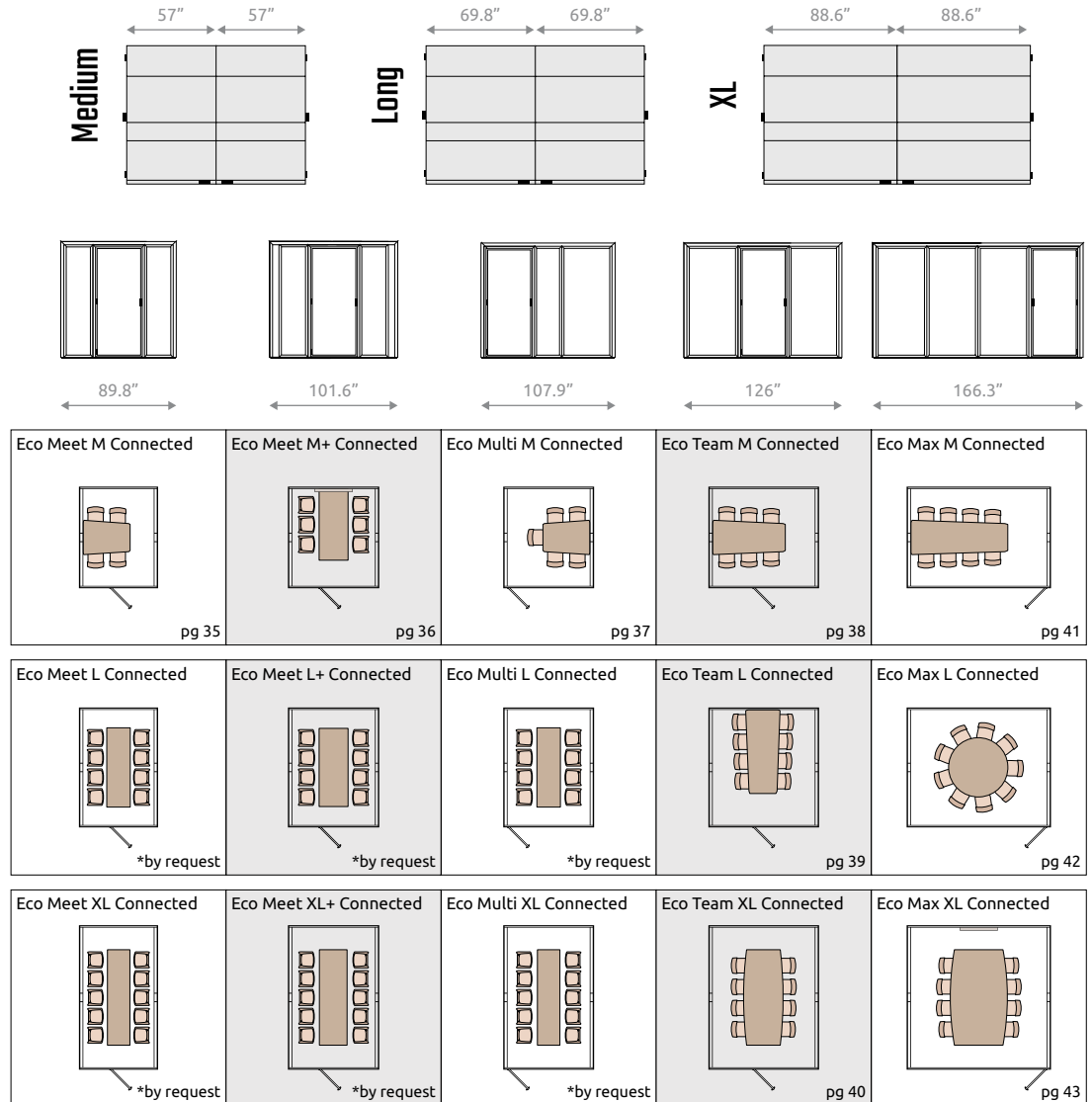


CONNECTED ECO PODS

All the Pods can be connected to each other to extend the size of the Pods. The standard parts remain the same, but the rear floor plinths are replaced with connection brackets on both sides in order to create a larger floor inside without any plinths in the middle.

Lighting and other electrical components can be interconnected. The cover cap at the joint of the Connected Pods can be replaced with a deeper cover featuring power outlets and an optional wall mount for a large screen.

- Pods of different depths can also be connected to create the optimal size for your space (joint not centered).
- Connected Pods are centrally controlled using a single ceiling-mounted sensor.
- No loss of speech level reduction due to the connection.
- The door hinge can be repositioned to the opposite side. An additional rear door is available.



ECO MEET M CONNECTED

Connected Pods Collection



Glass Back



Upholstered Mid Back



Fully Upholstered Back

CAPACITY

4 to 5 People
(1 Wheelchair)

WEIGHT

Pod: 2087.84 lbs
Crate: 405.72 lbs

ACOUSTICS

30.2 dB Cat. A
ISO 23351-1

AIRFLOW

656 CFM
1115 m³/h

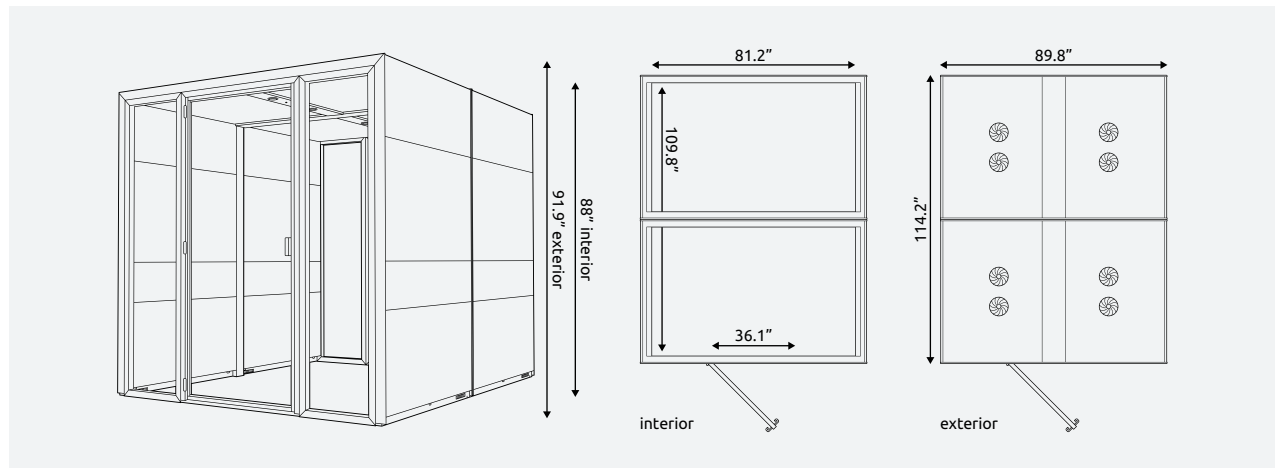
OPTIONAL

- Interior & Exterior Options (pg 45-46)
- Adaptable Ventilation & Lighting (pg 66)
- Power Outlets (pg 67)

Pod comes with access holes for client-installed sprinkler systems

INCLUDED

- x4 LED-Lights 5 Watt with Sensor
- Air Ventilation
- Door with Magnetic Closure



ECO MEET M+ CONNECTED

Connected Pods Collection



Glass Back



Upholstered Mid Back



Fully Upholstered Back

CAPACITY

4 to 5 People
(1 Wheelchair)

WEIGHT

Pod: 2309.04 lbs
Crate: 405.72 lbs

ACOUSTICS

30.2 dB Cat. A
ISO 23351-1

AIRFLOW

656 CFM
1115 m³/h

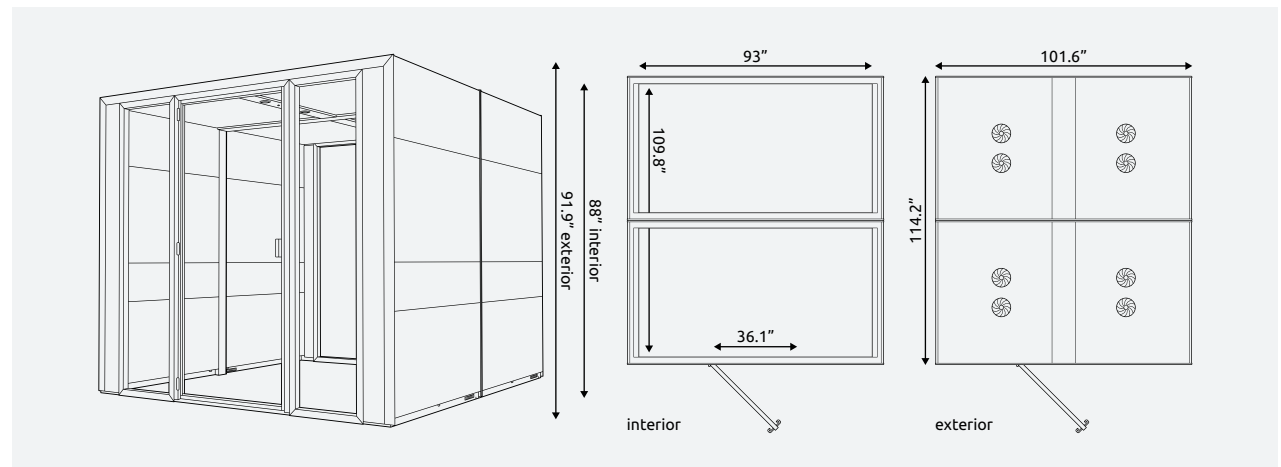
OPTIONAL

- Interior & Exterior Options (pg 45-46)
- Adaptable Ventilation & Lighting (pg 66)
- Power Outlets (pg 67)

Pod comes with access holes for client-installed sprinkler systems

INCLUDED

- x4 LED-Lights 5 Watt with Sensor
- Air Ventilation
- Door with Magnetic Closure



ECO MULTI M CONNECTED

Connected Pods Collection



Glass Back



Upholstered Mid Back



Fully Upholstered Back

CAPACITY

4 to 5 People
(1 Wheelchair)

WEIGHT

Pod: 2341.11 lbs
Crate: 405.72 lbs

ACOUSTICS

30.2 dB Cat. A
ISO 23351-1

AIRFLOW

656 CFM
1115 m³/h

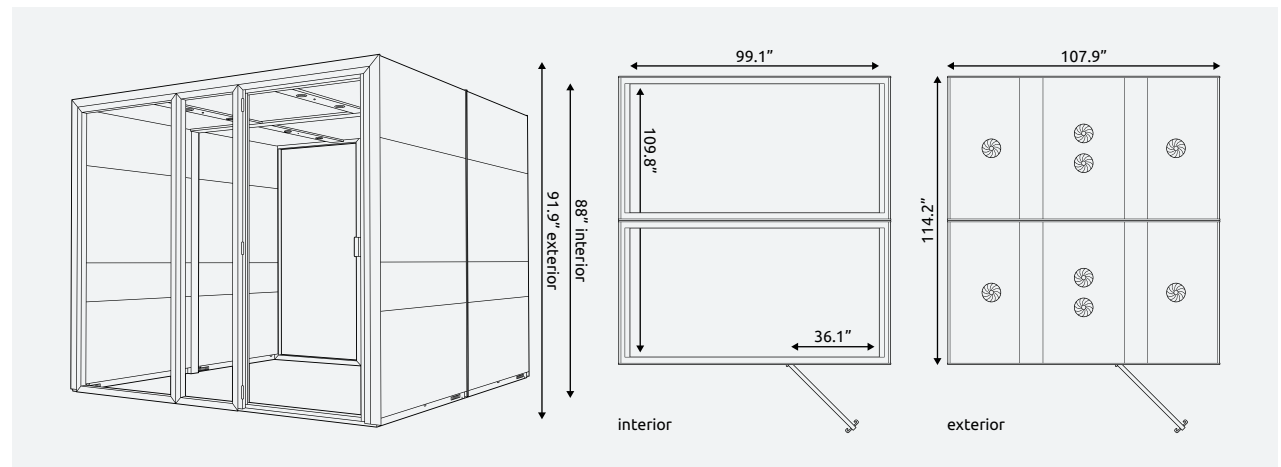
OPTIONAL

- Interior & Exterior Options (pg 45-46)
- Adaptable Ventilation & Lighting (pg 66)
- Power Outlets (pg 67)

Pod comes with access holes for client-installed sprinkler systems

INCLUDED

- x8 LED-Lights 5 Watt with Sensor
- Air Ventilation
- Door with Magnetic Closure



ECO TEAM M CONNECTED

Connected Pods Collection



Glass Back



Upholstered Mid Back



Fully Upholstered Back

CAPACITY

6 to 7 People
(1 Wheelchair)

WEIGHT

Pod: 2555.30 lbs
Crate: 405.72 lbs

ACOUSTICS

30.2 dB Cat. A
ISO 23351-1

AIRFLOW

492 CFM
836 m³/h

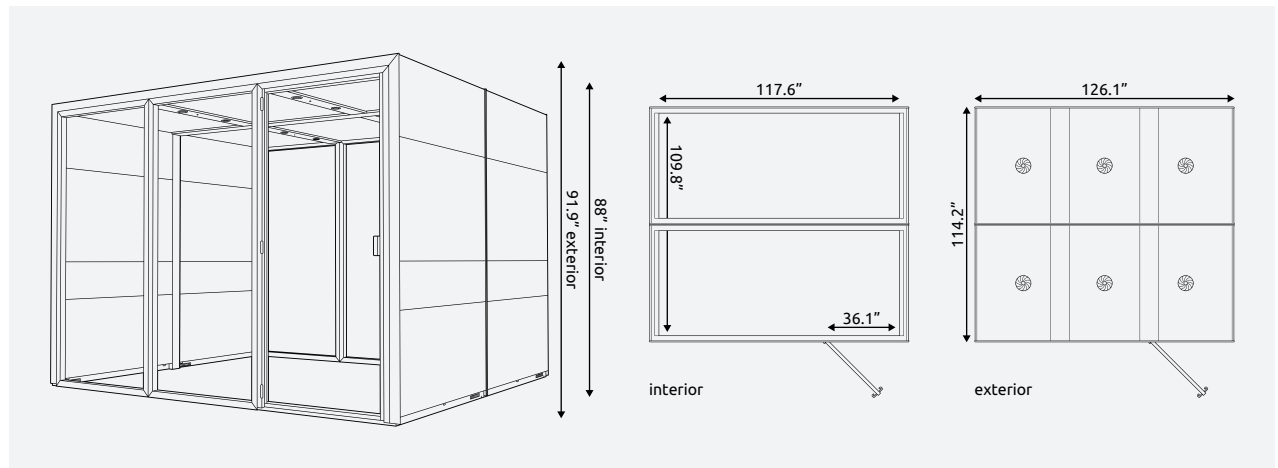
OPTIONAL

- Interior & Exterior Options (pg 45-46)
- Adaptable Ventilation & Lighting (pg 66)
- Power Outlets (pg 67)

Pod comes with access holes for client-installed sprinkler systems

INCLUDED

- x8 LED-Lights 5 Watt with Sensor
- Air Ventilation
- Door with Magnetic Closure



ECO TEAM L CONNECTED

Connected Pods Collection



Glass Back



Upholstered Mid Back



Fully Upholstered Back

CAPACITY

6 to 7 People
(1 Wheelchair)

WEIGHT

Pod: 2903.69 lbs
Crate: 608.58 lbs

ACOUSTICS

30.2 dB Cat. A
ISO 23351-1

AIRFLOW

492 CFM
836 m³/h

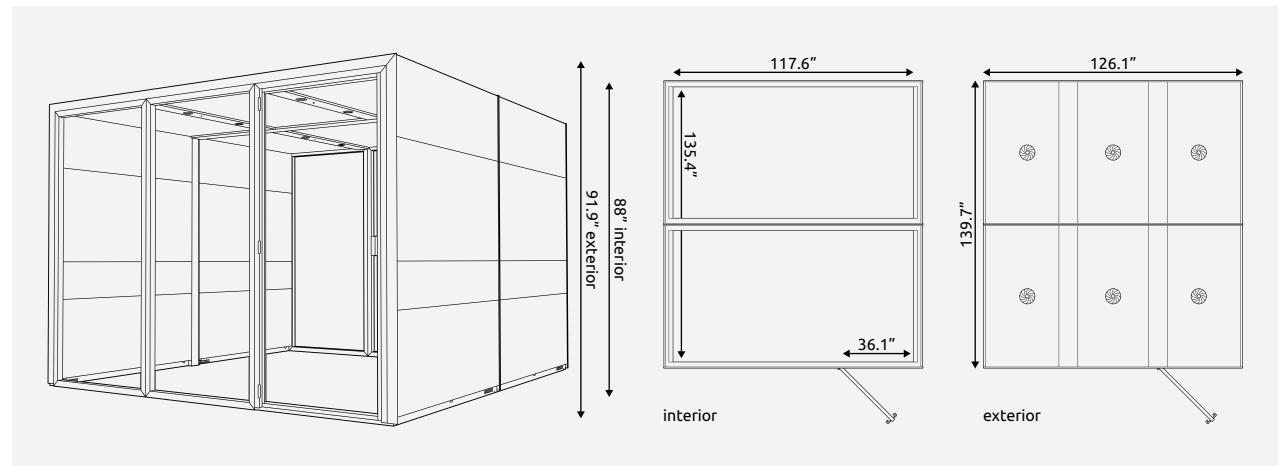
OPTIONAL

- Interior & Exterior Options (pg 45-46)
- Adaptable Ventilation & Lighting (pg 66)
- Power Outlets (pg 67)

Pod comes with access holes for client-installed sprinkler systems

INCLUDED

- x8 LED-Lights 5 Watt with Sensor
- Air Ventilation
- Door with Magnetic Closure



ECO TEAM XL CONNECTED

Connected Pods Collection



Glass Back



Upholstered Mid Back



Fully Upholstered Back

CAPACITY

8 to 9 People

WEIGHT

Pod: 3408.03 lbs
Crate: 608.58 lbs

ACOUSTICS

30.2 dB Cat. A
ISO 23351-1

AIRFLOW

984 CFM
1672 m³/h

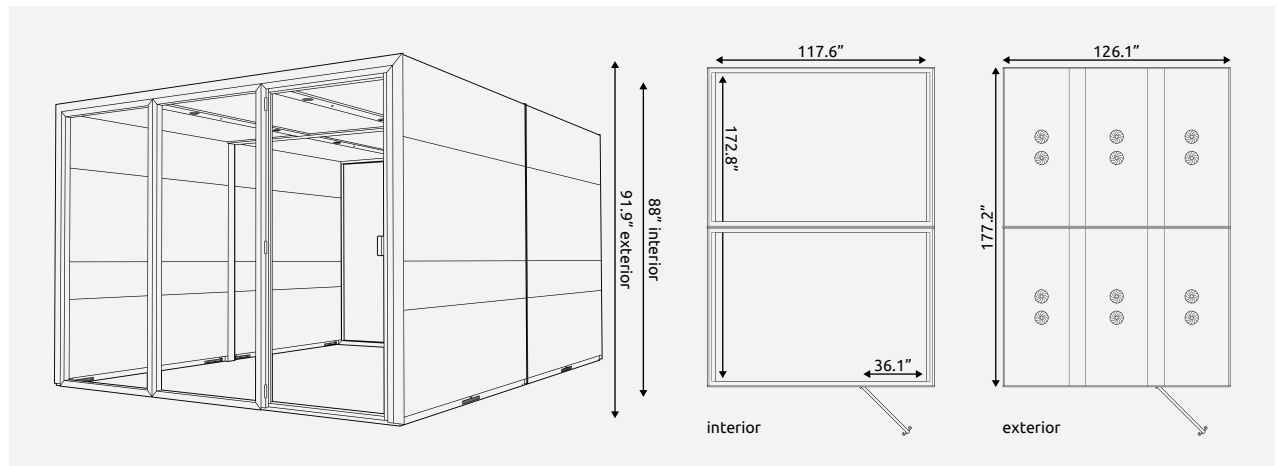
OPTIONAL

- Interior & Exterior Options (pg 45-46)
- Adaptable Ventilation & Lighting (pg 66)
- Power Outlets (pg 67)

Pod comes with access holes for client-installed sprinkler systems

INCLUDED

- x8 LED-Lights 5 Watt with Sensor
- Air Ventilation
- Door with Magnetic Closure



ECO MAX M CONNECTED

Connected Pods Collection



Glass Back



Fully Upholstered Back

CAPACITY

8 to 9 People
(1 Wheelchair)

WEIGHT

Pod: 3053.93 lbs
Crate: 608.58 lbs

ACOUSTICS

30.2 dB Cat. A
ISO 23351-1

AIRFLOW

492 CFM
836 m³/h

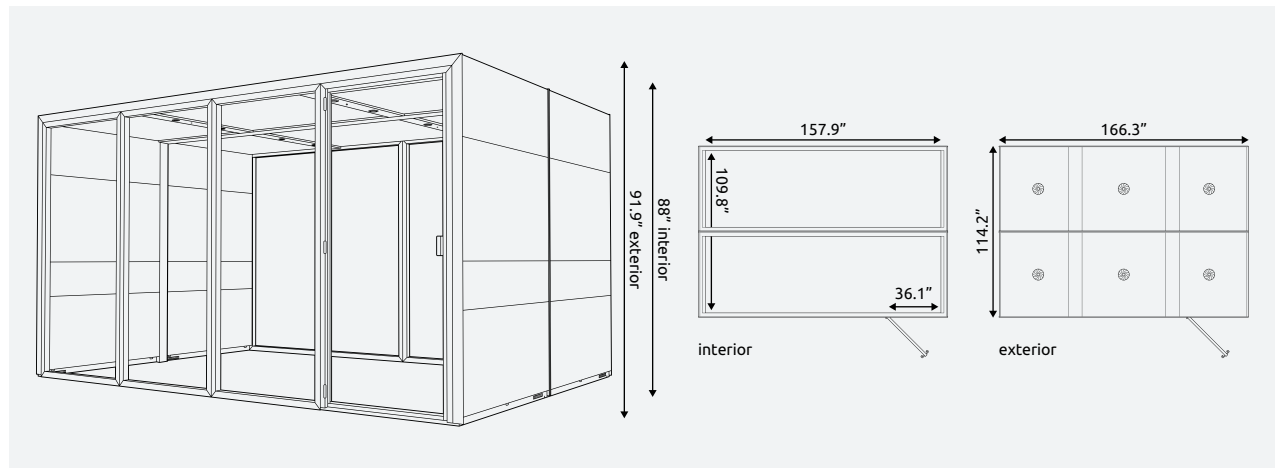
OPTIONAL

- Interior & Exterior Options (pg 45-46)
- Adaptable Ventilation & Lighting (pg 66)
- Power Outlets (pg 67)

Pod comes with access holes for client-installed sprinkler systems

INCLUDED

- x8 LED-Lights 5 Watt with Sensor
- Air Ventilation
- Door with Magnetic Closure



ECO MAX L CONNECTED

Connected Pods Collection



Glass Back



Fully Upholstered Back

CAPACITY

8 to 9 People
(1 Wheelchair)

WEIGHT

Pod: 3423.17 lbs
Crate: 608.58 lbs

ACOUSTICS

30.2 dB Cat. A
ISO 23351-1

AIRFLOW

984 CFM
1672 m³/h

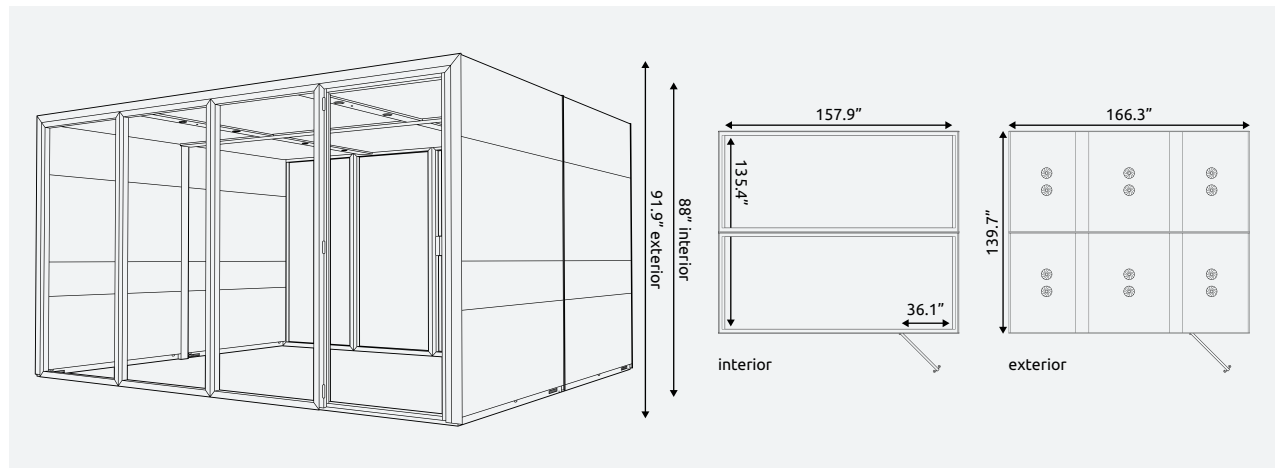
OPTIONAL

- Interior & Exterior Options (pg 45-46)
- Adaptable Ventilation & Lighting (pg 66)
- Power Outlets (pg 67)

Pod comes with access holes for client-installed sprinkler systems

INCLUDED

- x8 LED-Lights 5 Watt with Sensor
- Air Ventilation
- Door with Magnetic Closure



ECO MAX XL CONNECTED

Connected Pods Collection



Glass Back

Fully Upholstered Back

CAPACITY

8 to 9 People
(1 Wheelchair)

WEIGHT

Pod: 4548.62 lbs
Crate: 608.58 lbs

ACOUSTICS

30.2 dB Cat. A
ISO 23351-1

AIRFLOW

984 CFM
1672 m³/h

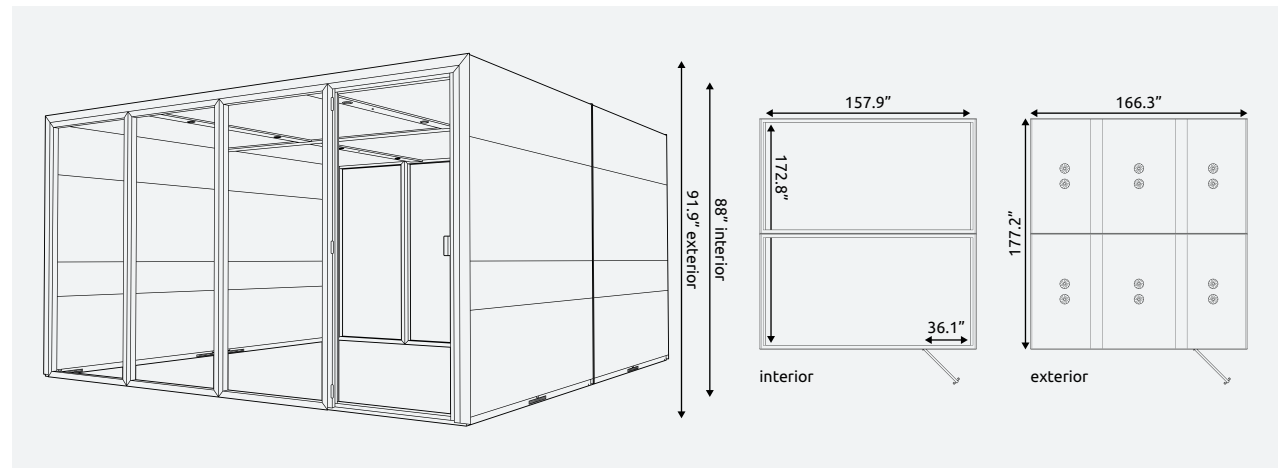
OPTIONAL

- Interior & Exterior Options (pg 45-46)
- Adaptable Ventilation & Lighting (pg 66)
- Power Outlets (pg 67)

Pod comes with access holes for client-installed sprinkler systems

INCLUDED

- x8 LED-Lights 5 Watt with Sensor
- Air Ventilation
- Door with Magnetic Closure



Create Your Own

In addition to varying pod dimensions, you can choose from several interior and exterior options — such as laptop tables, TV Monitor Mounts for video calls, Magnetic Whiteboards for brainstorming sessions, and comfortably upholstered Sofas for longer meetings.



INTERIOR OPTIONS

The generic components of each Pod are interchangeable, allowing for flexible configurations — such as replacing an upholstered panel with a Magnetic Whiteboard, or a built-in tabletop. As a result, a Pod’s functionality can be easily adapted at any stage. Even a Meeting Pod designed for multiple users can be transformed into a Focus Pod for individual use.



Empty, Glass Back



Empty, Upholstered Mid Back



Backside Table (High)



**Column Table (High)
Monitor Mount**



**Desk, Height Adjustable
Table**



Lounge Furniture



Bridge Table (Low)



**Column Table (Low)
Monitor Mount**

Unattached Seating Not Included

INTERIOR OPTIONS

Side Table



Height: 29.5" or 41.3" from floor
Top: 19.7" deep



Backside Table



Height: 29.5" or 41.3" from floor
15.7" or 27.6" deep



Bridge Table



Height: 29.5" or 41.3" from floor
Available for Phone and Meet range



Column Table



Height: 29.5" or 41.3" from floor
Available in different dimensions



Magnetic Whiteboard



Aluminum Black Marker Tray included
Available for Interior and Exterior



Height Adjustable Table



Height: 27.25"-46.25"
Available in different dimensions



Sofa



Height: 31.9" from floor
Depth: 24"



Shelf & High Seat



Shelf height: 29.5" or 41.3" from floor
Top: 11.8" deep
High Seat Height: 27.5"



EXTERIOR OPTIONS

Desk Shelf

Height: 29.5" (Low) or 41.3" (High) from floor | Top: 13.8" deep



Monitor Mount

TV mounting panel with cable grommet (upholstered or laminated)



Magnetic Whiteboard

Fully steel whiteboard
Aluminum Black Marker Tray included
Markers & magnets not included



Cabinet & Book Shelves

Cabinet with two flip down fronts
One shelf inside | Depth: 12.6"
Bookshelf Depth: 9.8"



OPTIONS

Column Tables

Straight

Small	31.5" x 22.8"
Medium	31.5" x 27.6"
Large	31.5" x 46"
XL	31.5" x 61.8"



Tapered M

Large	31.5" x 46"
XL	31.5" x 61.8"
MC	31.5" x 78.7"



Tapered S

Medium	31.5" x 61.8"
Large	31.5" x 78.7"
XL	31.5" x 109"



Tapered B

Large	49" x 82.7"
XL	49" x 109"



Tapered VC

Short	36.4" x 55"
Medium	46" x 61.8"
Large	49" x 82.7"
XL	49" x 109"



VC- Table tops for combination with VC column (see pg 50)

Tabletop height: 29.5" (Low) or 41.3" (High) from the floor.
 Tabletop thickness: 1.5"
 x2 small mounting brackets with bolts included
 Color column legs: Black RAL9005

Table tops that are 78.7" or longer are fitted with a column leg with floor plate

BACKSIDE TABLES

Phone 40

36.3" x 15.7"



Phone 70

36.3" x 27.6"



Phone+ 40

42.6" x 15.7"

Phone+ 70

42.6" x 27.6"

Work 40

58.8" x 15.7"



Work 70

58.8" x 27.6"

Desk 40

76.9" x 15.7"



Desk 70

76.9" x 27.6"

Meet 40

80.9" x 15.7"



Meet 70

80.9" x 27.6"



Sofa Table

80.9" x 19.7"



Tabletop height: 29.5" (Low) or 41.3" (High) from the floor
 Table top thickness: 1.5"
 Mounting brackets & bolts included

INTERIOR SHELF

Short

11.8" x 33.9"



Medium

11.8" x 46.7"

Low

Long

11.8" x 59.4"



High

XL

11.8" x 78.1"

Shelf height from top: 29.5" (Low) or 41.3" (High) from floor

SIDE TABLES

Short

19.7" x 33.9"



Medium

19.7" x 46.7"

Low

Long

19.7" x 59.4"



XL

19.7" x 78.1"

High

Side Table height from top: 29.5" (Low) or 41.3" (High) from floor

BRIDGE TABLES

Short

37.2" x 27.6"



Medium

37.2" x 27.6"

Low

Long

81.5" x 27.6"

XL

81.5" x 27.6"

OPTIONS

BOOK SHELVES

- Short**
9.8" x 33.5"
- Medium**
9.8" x 46.5"
- Long**
9.8" x 59"
- XL**
9.8" x 77.8"



EXTERIOR SHELF

- Short**
13.8" x 33.5"
- Medium**
13.8" x 46.5"
- Long**
13.8" x 59"
- XL**
13.8" x 77.8"



CABINET

- Short**
12.6" x 33.5"
- Medium**
12.6" x 46.5"
- Long**
12.6" x 59"
- XL**
12.6" x 77.8"



Height: 21.3" | Shelf included | Flip open hinges included

MONITOR MOUNT

- Short**
Interior 39.9" x 30.7"
Exterior 43.8" x 30.9"
- Medium**
Interior 52.8" x 30.7"
Exterior 56.6" x 30.9"
- Long**
Interior 65.4" x 30.7"
Exterior 69.3" x 30.9"
- XL**
Interior 84.2" x 30.7"
Exterior 88" x 30.9"



Cable grommet included | TV-mounting bracket not included | Laminate panel only available for pod exterior

MAGNETIC WHITEBOARD

- Short**
Interior 39.9" x 30.7"
Exterior 43.8" x 30.9"
- Medium**
Interior 52.8" x 30.7"
Exterior 56.6" x 30.9"
- Long**
Interior 65.4" x 30.7"
Exterior 69.3" x 30.9"
- XL**
Interior 84.2" x 30.7"
Exterior 88" x 30.9"



Aluminum black profile included for markers

OPTIONS

SOFAS

Short

37.5" Long



Medium

50.3" Long



Long

63" Long



XL

81.8" Long



Depth: 24"
Seating height from floor: 16.8"
Total height with cushion: 31.9"

Sofas with removable covers and height adjustable feet are available

HIGH SEATS

Short

37.5" Long



Depth: 11.5"
Seating height from floor: 27.5"

BACKSIDE TABLE SOFAS

Short

37.5" Long



Medium

50.3" Long



Pairs with backside sofa table.
Depth: 24"
Seating height from floor: 16.8"
Total height with cushion: 31.9"

Sofas with removable covers and height adjustable feet are available

POWER OUTLETS

Standard

120 volt RA



USB A & C

1 USB A & 1 USB C



USB C

1 USB C



ADAPTABLE LIGHT & VENTILATION

Each Pod can be upgraded with a display placed fully in the upholstered panels at the side or at the backside above the Column Tables

Digital Display

Digital Full Color Display



Contact our specialist for other regulation options and advice

VC CONNECTION SET

The VC column is a cover with optional power outlets included

The inserts make it possible to mount any TV mount to the column. The space behind will hide all cables of the outlets, screen and other devices. A cable grommet is included to guide the cables of the TV-screen into the column. Space for the VC-column is created at the backside of the Column Tables.



DOORSTEP RAMP

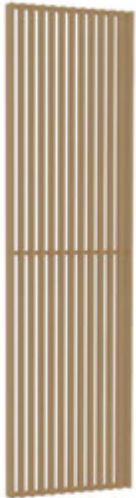
This addition enhances accessibility for people who use wheelchairs. For more information on disability accommodations, please see pages 71 and 72.



PRIVACY SLATS

Optional exterior Privacy Slats offer an ideal solution for moments when screen privacy or personal focus is essential. They provide an added layer of seclusion without fully isolating the pod's interior, maintaining a balance between privacy and connection to the surrounding environment.

Crafted from recycled wood, the slats are available in a variety of finishes, offering a sustainable and aesthetically pleasing addition to your space.



Privacy Slats Small

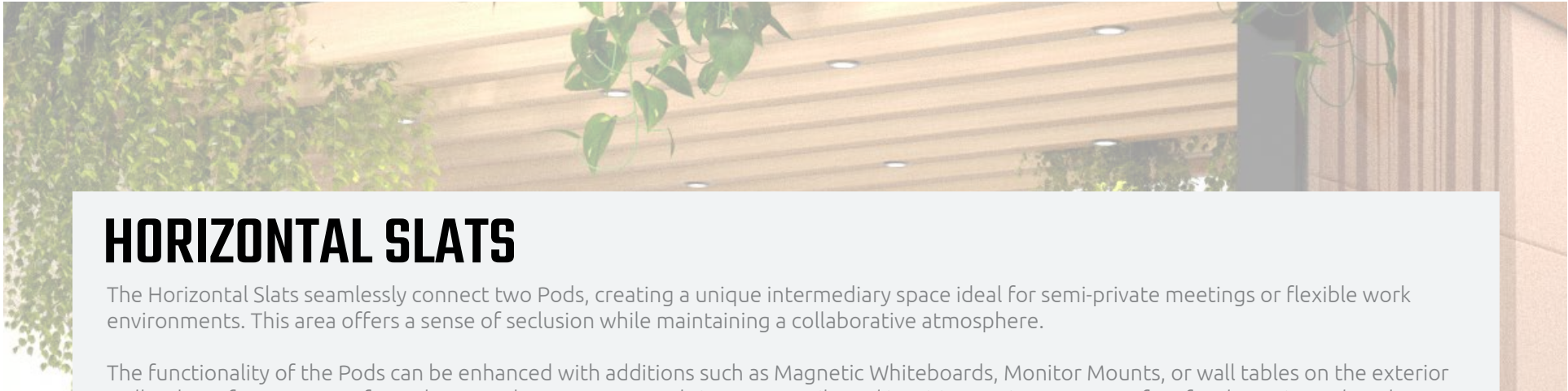
- Dimensions: 25.3" x 91.7" x 2.6"
- Only for small windows
- Made of 100% recycled wood
- Different finishes available



Privacy Slats Large

- Dimensions: 43.7" x 91.7" x 2.6"
- Only for large windows
- Made of 100% recycled wood
- Different finishes available





HORIZONTAL SLATS

The Horizontal Slats seamlessly connect two Pods, creating a unique intermediary space ideal for semi-private meetings or flexible work environments. This area offers a sense of seclusion while maintaining a collaborative atmosphere.

The functionality of the Pods can be enhanced with additions such as Magnetic Whiteboards, Monitor Mounts, or wall tables on the exterior walls. These features transform the space between two Pods into a versatile and inspiring environment, perfect for dynamic work and brainstorming sessions.

Made from recycled wood, the slats are available in a variety of finishes.



Horizontal Slats Short

- Length : 80.7"
- Depth: 45.3"
- For connecting Pods with short panels
- Made of 100% recycled wood
- Different finishes available



Horizontal Slats Medium

- Length : 80.7"
- Depth: 55.7"
- For connecting Pods with medium panels
- Made of 100% recycled wood
- Different finishes available



Horizontal Slats Long

- Length : 80.7"
- Depth: 68.5"
- For connecting Pods with long panels
- Made of 100% recycled wood
- Different finishes available



Horizontal Slats XL

- Length : 80.7"
- Depth: 87.2"
- For connecting Pods with XL panels
- Made of 100% recycled wood
- Different finishes available



Arch Slats Short

- Outside Length : 40.2"
- Inside Length: 30.7"
- Depth: 45.3"
- For short panel Pods
- Made of 100% recycled wood
- Different finishes available



Arch Slats Medium

- Outside Length : 56.1"
- Inside Length: 46.7"
- Depth: 45.3"
- For medium panel Pods
- Made of 100% recycled wood
- Different finishes available



Arch Slats Long

- Outside Length : 68.7"
- Inside Length: 59.3"
- Depth: 45.3"
- For long panel Pods
- Made of 100% recycled wood
- Different finishes available



Arch Slats XL

- Outside Length : 87.6"
- Inside Length: 78.1"
- Depth: 45.3"
- For XL panel Pods
- Made of 100% recycled wood
- Different finishes available

ARCH SLATS

Looking to add a warm, inviting touch to the sides of your Pod? Arch Slats are the perfect solution. These stylish additions are specifically designed to enhance the side panels, offering not only visual appeal but also added functionality by creating usable extra space.

Made from recycled wood and available in a variety of finishes, Arch Slats combine sustainability with timeless design.



CORNER SLATS

Similar to the Arch slats, corner slats are specifically designed for the exterior side panels of the Pod. They offer a smart way to make use of surrounding space, creating a semi-private zone that's ideal for a flexible workspace. By incorporating elements like a Magnetic Whiteboard, table, or shelves, this exterior space gains an added layer of functionality.

The slats are made from recycled wood and are available in a variety of finishes.



Corner Slats Short

- Outside Length : 70.9"
- Length Inside: 45.3"
- For Pods with short panels
- Made of 100% recycled wood
- Different finishes available



Corner Slats Medium

- Outside Length : 70.9"
- Length Inside: 55.7"
- For Pods with medium panels
- Made of 100% recycled wood
- Different finishes available



Corner Slats Long

- Outside Length : 70.9"
- Length Inside: 68.5"
- For Pods with long panels
- Made of 100% recycled wood
- Different finishes available



Corner Slats XL

- Outside Length : 70.9"
- Length Inside: 87.2"
- For Pods with XL panels
- Made of 100% recycled wood
- Different finishes available

Landscapes



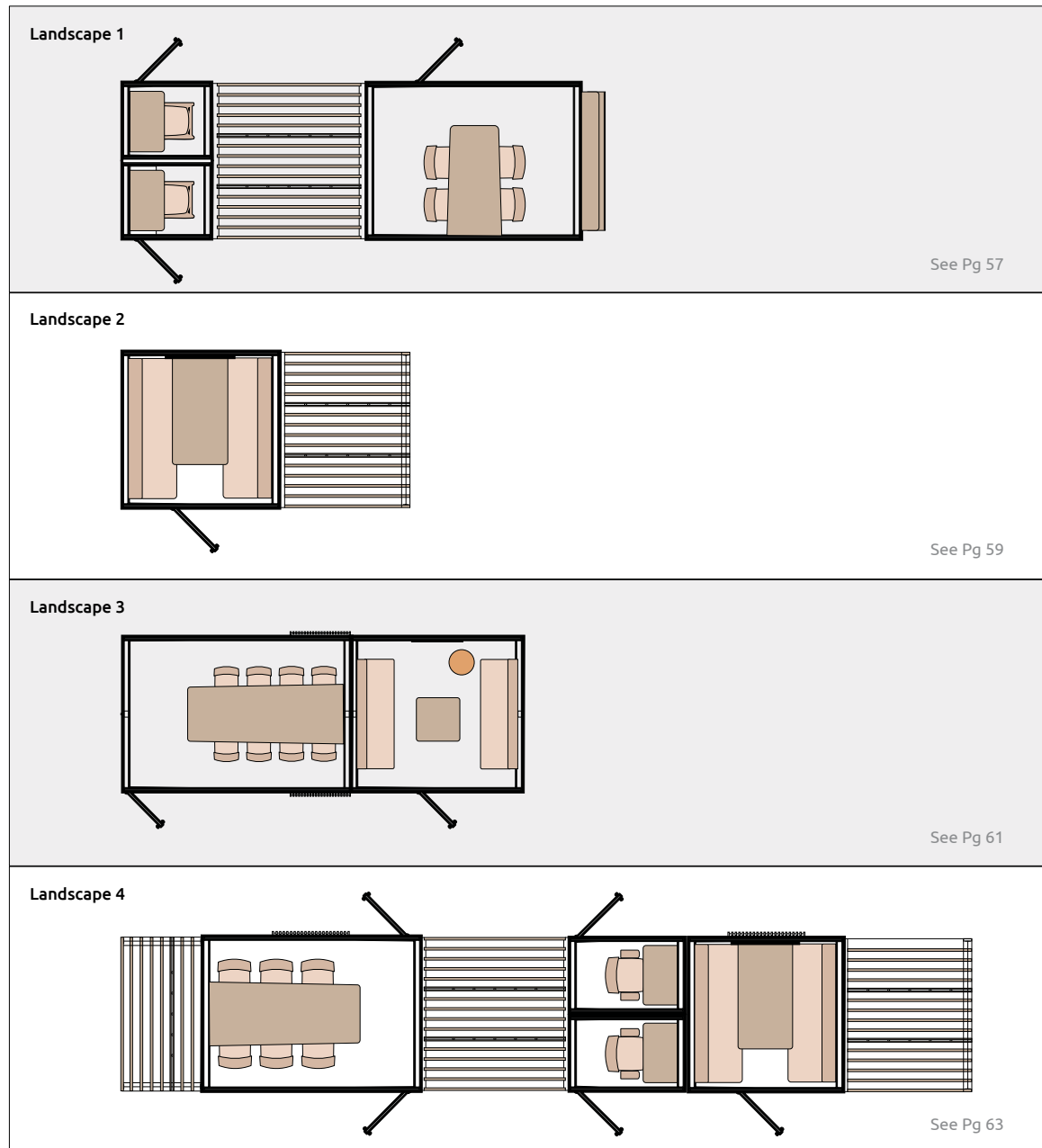
CREATE YOUR LANDSCAPE

Imagine having multiple Pods, how great would it be to have the possibility to make something truly special out of the space between them? Landscapes offer the opportunity to connect multiple different Pods together. This design strategy ensures there are no limitations to utilizing the Pod interior while also maximizing each Pod's potential through exterior elements that create functional, inviting spaces. This approach maximizes the use of each Pod while creating a cohesive landscape with a great atmosphere.

Our Pods offer more than a standalone solution.

- All different Pods can be connected
- In between two Pods, Horizontal Slats can be placed
- At the sides of the landscape, Arch Slats, or Corner Slats can be placed
- In front of a window, Privacy Slats can be placed
- The configuration can change or extend over time according to preferences

In this catalog, four landscapes are presented to illustrate the wide range of possibilities. Alternative configurations can also be implemented, depending on your preferences.



LANDSCAPE 1

On the right side, shelves and a Cabinet have been added, offering extra storage and display space. Two fully upholstered back Pods of different sizes are connected by Horizontal Slats, creating an additional semi-enclosed area. Optional curtain holders can be added to increase privacy.



Open Space

Horizontal black laminated slats between the Pods with LED-lights and curtains to close the space. A Sofa XL placed at the outside



Book Shelves & Cabinet

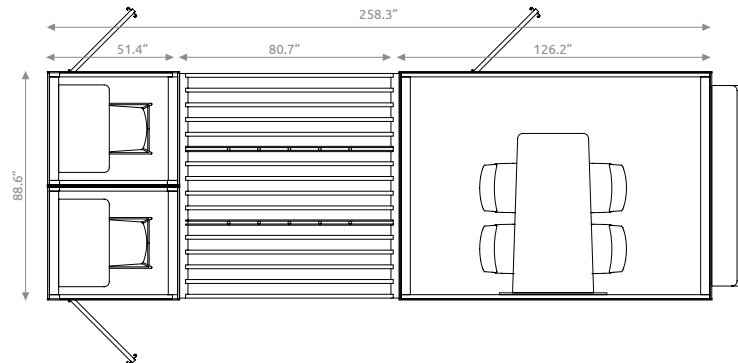
9.8" deep Book Shelves and a 13.8" deep Cabinet attached to the outside

Eco Phone S+

Two Eco Phone S+ Pods with fully upholstered backs are mirrored, creating the same length as the Eco Team XL Pod across

Eco Team XL

Fully upholstered back with power outlets above the Column Table XL and 4 comfortable chairs



LANDSCAPE 2

In this layout, the Corner Slats define a semi-private area. When optional curtains are added, the open space can easily be transformed into a closed one. LEDs ensure the right ambiance is maintained throughout.



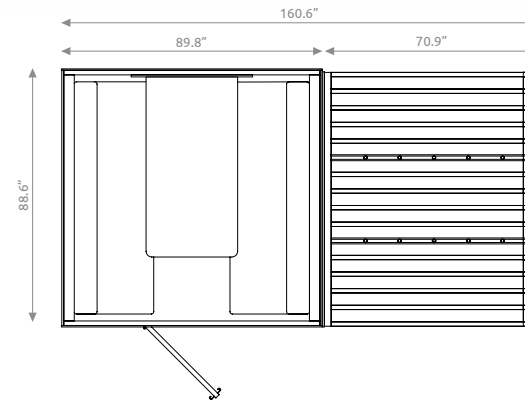
Eco Meet XL

The curtains obscure the view of the screen from the outside of the Pod.



Corner Slats XL

The slats create a breakout area with curtains for more privacy. Attached to the Pod is a 13.8" deep Desk Shelf with bar stools and wall-mounted power outlets.



LANDSCAPE 3

A meeting room doesn't always need to be a separate space within your building—it can also be a Pod, which can be relocated and modified over time. Two large Pods can be connected to form a larger unit. Privacy slats in front of the windows add a warm, inviting look while enhancing privacy. Additionally, a TV screen can be mounted on a closed wall for presentations or video calls.



Eco Max M Connected

A Connected Pod ideal for video conferencing with 6 people.

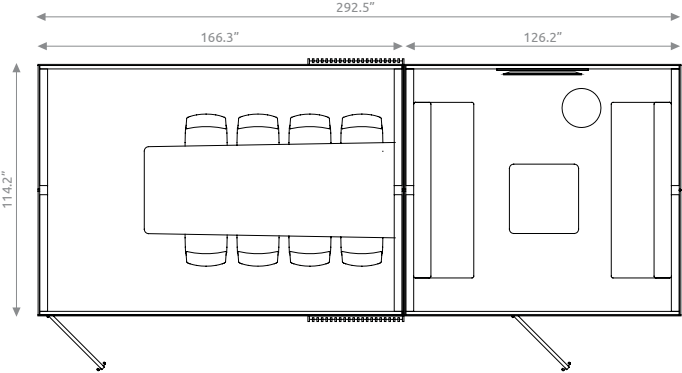


Privacy Slats

The Privacy Slats block the view of the screen from the outside of the Pod.

Eco Team M Connected

Two Pods connected to create a larger space for a lounge area. Curtains provide ambiance and privacy.



LANDSCAPE 4

This landscape brings together several zones. Beneath the Arch Slats, a relaxing area is created, followed by a meeting zone, and then an open space for quick catch-ups or short breaks. The layout also includes two individual Focus Pods for concentrated work.



Eco Team XL

The Privacy Slats block the view of the screen from the outside of the Pod.

Eco Work S

Two mirrored Eco Work S Pods with fully upholstered backs for focus and concentration.

Eco Meet XL

A comfortable video conferencing and lounge space with curtains inside and a privacy panel at the outside of the Pod.

Arch Slats

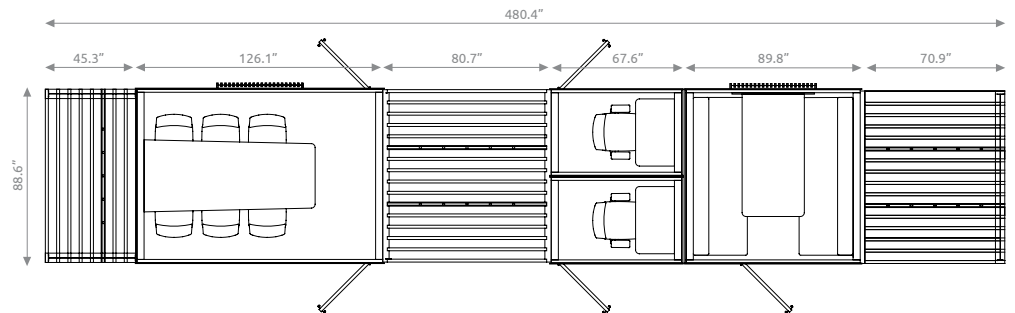
The Arch Slats create a flexible break-out or relaxing space.

Horizontal Slats

Horizontal Slats with LED-lights and curtains. Two Sofas and a table in the middle for a short meeting or work session.

Corner Slats

Create a flex-work spot on the outside of the Pod with a Desk Shelf and power outlets in the wall.



Technical Specifications



LIGHTING AND VENTILATION

A motion detection sensor in the ceiling activates the LED-lights in the ceiling when someone enters the Pod. The silent ventilators work at all times, and suck out the hot air, creating an airflow from bottom to top. Cold air is coming in through holes in the floor plinths, refreshing the air inside the Pod in 2 minutes.

The temperature inside the Pods remains consistent with the surrounding environment, even when occupied by multiple people.



Sensor



Ventilation Slots



Ventilator



4 Watt LED-Lights



ELECTRONICS & CABLE MANAGEMENT

The Pods can be connected to the network of building from each side at the floor or from the ceiling if preferred. Pods with a Mid-panel in the back have an extra option using a 2.36" diameter grommet placed 1.18" above the floor in the middle.

Because the panels on the outside and inside of the Pod can be removed, a cable channel inside the wall is accessible and cables can be guided in any direction. All Pods are supplied with a four-gang GST18 power block and two 16.4' GST18 cables to connect the Pod with power outlets to the building.



Different Power Outlets



GST18 Power Block in Ceiling Way



POWER OUTLET OPTIONS



Standard

- 120 volt RA
- Includes 10' cable
- 2" diameter face
- UL Listed certified



USB A & C

- 1 USB A & 1 USB C
- Includes 10' cable
- 2" diameter face
- UL Listed certified
- Only for upholstered mid back



USB C

- 1 USB C
- Includes 10' cable
- 2" diameter face
- UL Listed certified
- Only for upholstered mid back



A

Automatic drop-seal
at top and bottom of the door

B

Double layered 0.5"
thick glass panels with
acoustic layer in between

C

Gaps around the door are
closed with rubber
profiles in door frame

D

4.3" thick sound
absorbing panels on
both sides and at ceiling

E

Sound absorbing labyrinth
inside the floor plinths and
between ceiling and roof panels

F

50-shore rubber soft band
underneath the floor plinths
for different floor surfaces



30.6 DB SPEECH LEVEL REDUCTION (ISO 23351-1 CAT A)

Don't take acoustics for granted — confidential conversations aren't meant to be shared with everyone in the room. Inside the Pods, discussions remain private, while external noise is effectively blocked out

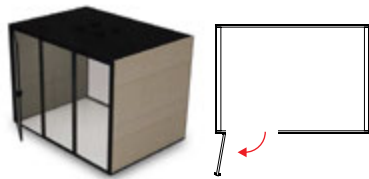
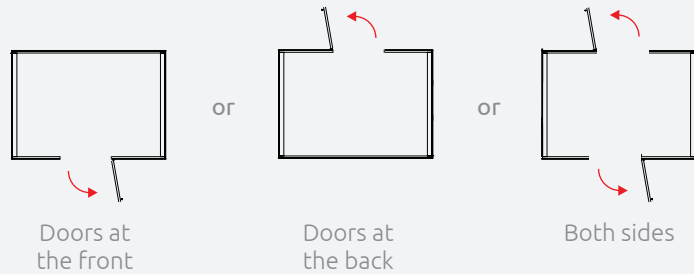
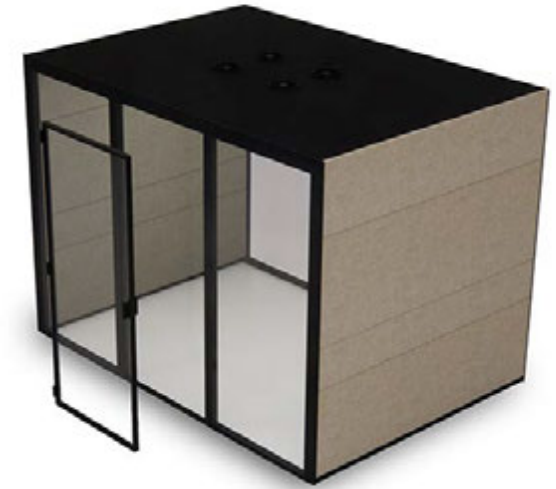
We offer superior acoustic performance (ISO-23351-1 **Category A certified** and a minimum of 30dB speech level reduction), ensuring maximum privacy and sound absorption and blocking.

The acoustic test report is available upon request.

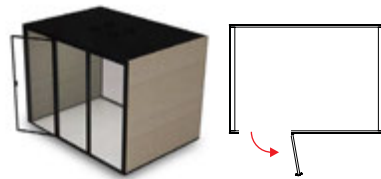
ADAPTABLE DOOR POSITION & DIRECTION

All Pods are prepared to adapt the door position **on-site** by the customer. Switching between left or right hinges, and between inward or outward opening. This adaptability ensures the Pod can fit in any floor plan and accommodates unexpected future changes, such as relocation or changes to surrounding interiors.

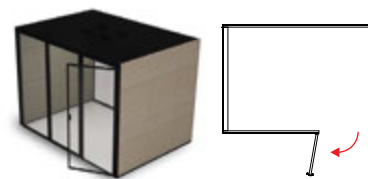
- A second door at the backside is available Upon Request for each Pod.
- Doorway dimensions comply with meeting wheelchair accessibility standards globally
- Pods with an 'extension column' can open inwards when positioned at the right- or left side.



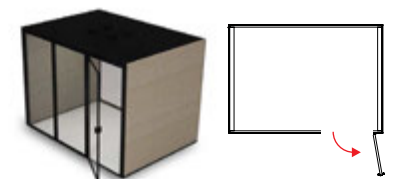
Door placed at the **left side**, turning clockwise outwards.



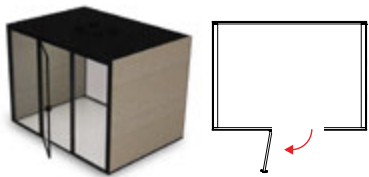
Door placed at the **left side**, turning counter clockwise outwards.



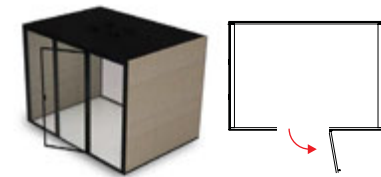
Door placed at the **right side**, turning clockwise outwards.



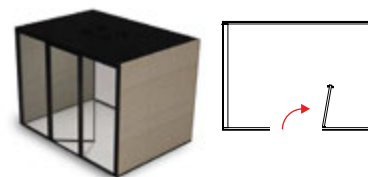
Door placed at the **right side**, turning counter clockwise outwards.



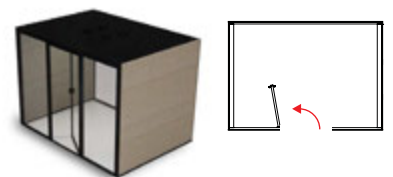
Door placed in the **middle**, turning clockwise outwards.



Door placed in the **middle**, turning counter clockwise outwards.



Door placed in the **middle**, turning clockwise inwards.



Door placed in the **middle**, turning counter clockwise inwards.



CONNECTING PODS

Pods sharing the same depth but with different widths can be seamlessly connected in series. The ventilation holes at the bottom remain open to ensure fresh air can enter the Pods.

Small openings on either side of the ventilation plinth enable power cords to be passed between connected Pods. Alternatively, cable connections can be made through the top.

Connecting Pods ensures an effective use of available space in the room.



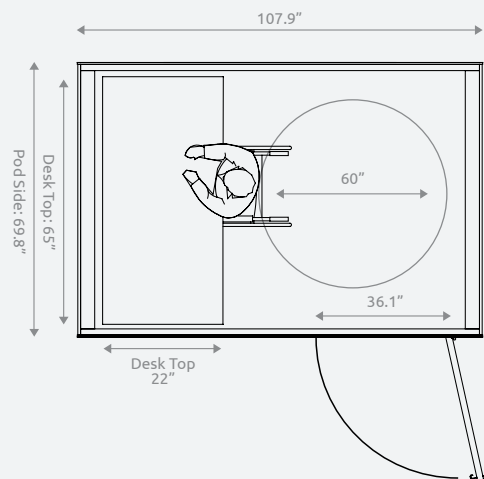
WHEELCHAIR ACCESSIBILITY

The Eco Pods from Ecolution are designed with accessibility in mind. Thanks to their flat floor system – with no thresholds – and a low plinth height, our Pods comply with the global standards. For added convenience, a door ramp can be added to make the Pods even more accessible to users with wheelchairs (see pg 50).

Key Features:

- 36.1" wide door for easy access
- No raised floor
- Spacious turning radius inside the Pod (60")
- Height-adjustable tabletop (22" deep)

Ecolution's Pods are designed to provide a quiet workspace and a space that is truly accessible to everyone.



NEUROINCLUSION FOCUSED DESIGN



Acoustic Control for Sensory Sensitivity

- Class A acoustic rating for users sensitive to ambient noise
- Reducing noise overload thus providing an inclusive alternative to noise canceling headphones

Modular Customization to Match Work Styles

- Personalization options such as interior and exterior finishes and accessories align with individual comfort needs

Quiet Zones for Communication Flexibility

- Supports low-stimulation zones and alternative communication preferences

Benefits

- Enhances well-being and productivity across all learning/employee types
- Supports DEI and accessibility initiatives
- Improves retention and satisfaction



A Privacy Panel to reduce visual distractions

B Acoustically private personal zones

C Ergonomic chair with adjustable positions and armrests

D Desk for heads down work in a quiet environment

E Adjustable lighting for sensory comfort

F No step entry for ADA accessibility

G Soft seating options

H Curtains allow for a new choice of privacy

I Biophilic elements and spatial boundary furniture

J Magnetic whiteboard for collaborative work in a quieter environment

Color Your Own



COLORS AND TEXTURES

Our Pods allow full customization. All interior and exterior panels are available in various eco-friendly materials and are fully replaceable over time.

The panels can be upholstered with fabrics made of post consumer recycled content, ocean waste, or a natural sustainable fiber like wool, offering a variety of unique textures to pair well with our laminates.

In addition to our upholstered panels, we offer a variety of laminated panels made from 100% recycled wood. These woodgrain colors perfectly match the laminated tables, creating a cohesive and harmonious design. Both the panels and tables are fully recyclable, staying true to our commitment to sustainability.

Can't find your perfect color? We offer custom options!



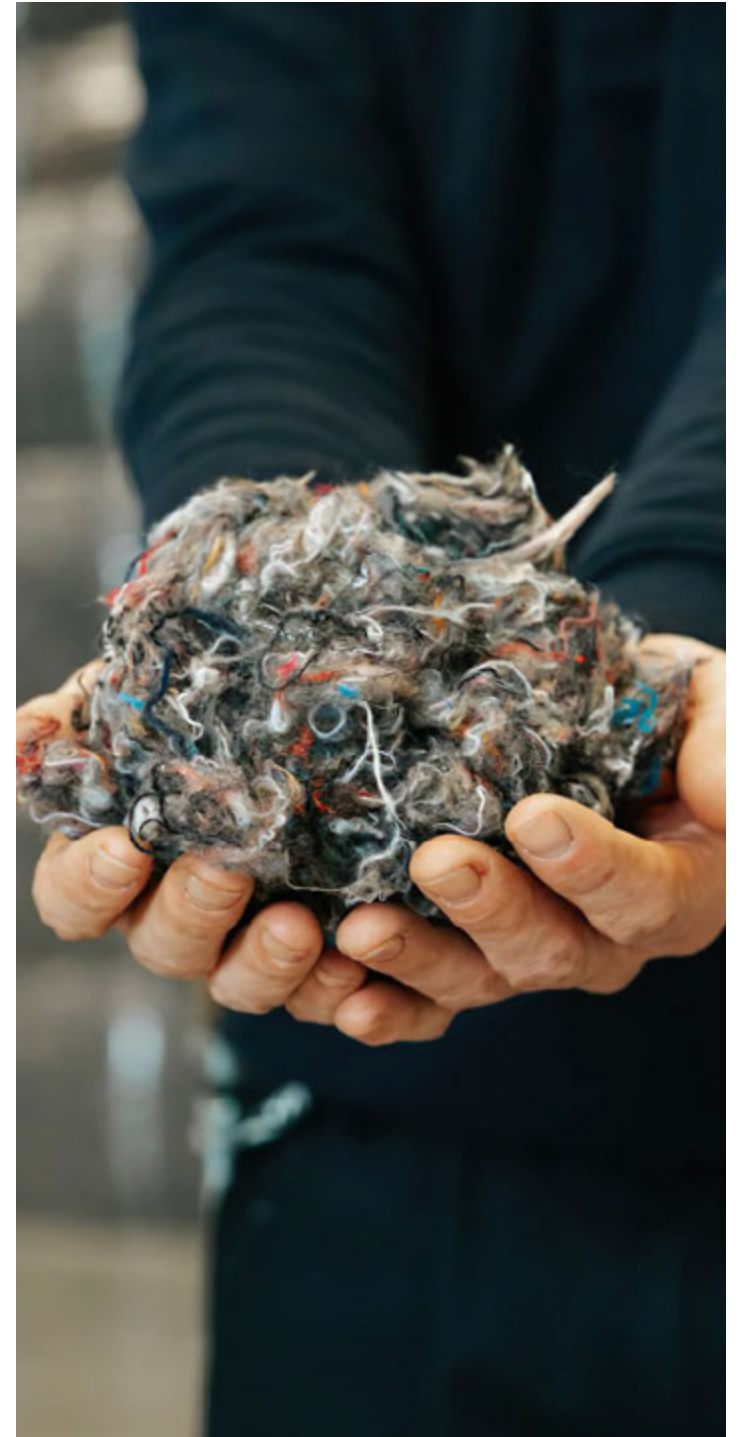
— RECYCLED MATERIAL

Our philosophy is anchored on using post consumer clothing and recycled materials sourced locally and manufactured with a social conscience. Our core ingredient, eco-felt, consists of post consumer clothing harmonizing several different materials such as cotton, wool, flax, polyester, and nylon, saving these discarded materials from contributing to environmental waste.

Crafted from 100% recycled textiles, our felt collection embodies a commitment to sustainability without compromising on performance or aesthetics. The natural color variations come from the original recycled fibers, eliminating the need for additional dyeing and making each piece uniquely eco-conscious. The rich blend of fibers not only adds depth and texture to our upholstery but also enhances the acoustic qualities of any space.

Every material we use is carefully selected for its sustainability and environmental impact. We design exclusively with materials that contribute positively to the planet — from the core of our products to the packaging they arrive in, which is made from 100% recycled content.

Energy efficiency, resource reuse, and environmental responsibility are built into every step of our process. Our approach is grounded in the principles of a circular economy — designing products that minimize waste, extend material life, and support a regenerative future.





SUSTAINABLE PACKAGING

Every Pod is transported in a wooden crate. This wooden crate can be flat packed and returned to the factory in order to be used again for the next Pod. The amount of recycled cardboard used is restricted to the minimum and can be returned to Ecolution as well as no foam or plastic is used for the packaging. All tape is based on recycled paper tape.

With our refundable crate system, you're not just paying for packaging, you're making a smart, eco-friendly choice. The crates are

designed to be reused. They naturally wear over time, which is why a fee is included for the equipment, which is settled on the invoice. We pay for the transport costs and take care of the return logistics.

All packaging inside the crate is fully reusable, including cardboard. Anything that becomes damaged is either reused when possible or responsibly recycled. The result? Zero waste on your end, and a system that's better for the environment. Instead of paying the full price for new crates and dealing with disposal, you benefit from lower costs and sustainable practices.

GENERAL DELIVERY TERMS

1. Definitions

In these General Terms and Conditions (hereinafter: the “conditions”), the following terms shall have the following meanings:

- **“Supplier”**: Ecolution Design, 2547 3 Mile Rd NW STE F, Grand Rapids, MI 49534.
- **“Client”**: An individual, firm, or company purchasing goods from the supplier.
- **“Goods”**: All products, materials, or items sold by the supplier under a contract.
- **“Contract”**: Any agreement, order, or arrangement for the sale of goods between the supplier and the client.

2. Applicability

These conditions are an integral part of all offers, quotations, and sales of goods by the supplier. Any terms or conditions from the client, such as those in purchase orders, are rejected unless the supplier expressly accepts them in writing.

3. Quotations

Quotations from the supplier are for informational purposes only and are not binding offers. The supplier can change or withdraw a quotation at any time **before** confirming the client’s order in writing or if an order confirmation is sent.

4. Prices

Unless stated otherwise in writing, prices are based on the supplier’s price list at the time of dispatch. All prices do not include VAT, other taxes, duties, packaging, transport, insurance, or other related costs unless otherwise agreed upon in writing. The supplier has the right to adjust prices before dispatch due to changes in raw material costs, production expenses, currency fluctuations, or other market conditions beyond its control.

5. Payment Terms

- Standard payment terms are Net 30 unless the dealer agreement states a 50% down payment or if there is a history of late payments the manufacturer can provide a 30 days notice of changes.
- Invoices must be paid in full without any deductions or withholding.
- Late payments will incur an interest rate of 12.5% per year, calculated daily from the due date.
- If the client fails to make a timely payment, the supplier may suspend further deliveries or terminate the contract, in whole or in part, with immediate effect by providing written notice.

6. Delivery

- Delivery dates are indicative and not binding. The supplier is not responsible for any delivery delays. If delivery is not made within a reasonable time, the supplier’s liability is limited to the invoice value of the undelivered goods.
- If the client refuses delivery, the supplier can invoice the client for the undelivered goods, store the goods at the client’s risk and expense (Storage Fees), and recover all associated costs.
- The risk of loss or damage to goods passes to the client when the goods are transferred to the carrier, or upon physical delivery by the supplier or its carrier to the agreed-upon location.
- Claims for loss or damage during transit must be submitted in writing within 28 days of the scheduled delivery date, otherwise the goods are considered accepted in good condition.

7. Retention of Title

- The supplier retains ownership of all goods until full payment is received.
- The client must store the goods separately and mark them as the supplier’s property until payment is complete.
- The supplier has the right to reclaim unpaid goods and the client grants the supplier irrevocable access to their premises for repossession.

8. Variations

Minor deviations in the quality, dimensions, color, or other non-essential characteristics of the goods are not considered a defect if they are within industry standards or manufacturing tolerances.

9. Packaging

Returnable packaging can be credited upon its return in good condition, minus a maintenance fee. The client is responsible for return shipping costs unless it meets the Crate Return Policy.

10. Intellectual Property and Third-Party Rights

- The client agrees to indemnify the supplier against any claims related to intellectual property infringement resulting from the supplier’s use of the client’s specifications or designs.
- When goods are subject to third-party intellectual property rights, the supplier will only transfer the rights they are legally entitled to transfer and provides no warranty regarding the validity or enforceability of these third-party rights.

11. Warranty and Limitation of Warranty

- The supplier warrants that goods are free from material defects in workmanship and materials for a period of Ten years from the delivery date, provided they are used under normal conditions. Electronics are under a 2 year warranty.
- The client is responsible for making sure the goods are suitable for their intended use.
- The warranty does not cover defects from improper installation, misuse, alterations, normal wear and tear, or failure to follow instructions. Warranty claims must be submitted in writing within 14 days of discovering the defect and within the warranty period.
- If a defect is confirmed, the supplier’s sole options are to repair, replace, or issue a credit note for the defective goods, not to exceed the original purchase price.

12. Liability

- The supplier is not liable for any claim unless the client provides written notice within specific time frames: 28 days for shortages, transit damage, or visible defects, and a reasonable period for hidden defects (but no later than the end of the warranty period).
- The supplier may inspect allegedly defective goods and has the option to repair or replace them, or issue a credit note not exceeding the original net invoice value.
- The supplier is not liable for defects caused by improper handling, unauthorized modifications, or for any indirect or consequential damages such as loss of profit or revenue.
- The supplier’s total liability is limited to the net purchase price of the specific goods giving rise to the claim.



WARRANTY POLICY

At Ecolution Design, quality and durability stand at the forefront of our commitment to you. It is with this unwavering dedication that we present our warranty policy below. Designed with our customers in mind, this policy reflects our confidence in our products and our promise to provide support should the need arise.

Please review the details to understand the coverage, exclusions, and how we stand behind our products. Each product has its own Warranty, and can be found on the product page.

General Warranty Exclusions

Our warranties will not cover the following:

- Fade of fabric, finishes, surface tops, or recycled biodegradable materials due to exposure to sunlight, cleaning materials, or normal use
 - Dye lot variations
 - Puddling, wrinkles, or natural draping of fabrics
 - Textile properties including pilling, colorfastness, aging, puddling, or abrasion
 - Pattern matching on textiles with repeat, distinct patterns
 - Any damage, wear, or failure due to unapproved replacement components, devices, or products
- See other specific limitations and exclusions detailed on each products specific warranty document.

General Warranty Details

- Damage caused by a non Ecolution Design carrier
- Normal wear and tear
- Defects caused by improper installation, or improper maintenance of product
- Damage caused by improper use or abusive handling of product, as well as unapproved alterations or modifications to product
- One year warranty on all movable high wear components not mentioned above
- Variation in color for materials such as paints, laminates, plastics and fabrics occur intrinsically and are not considered to be defects
- Failure to follow instructions or information on warnings

Except as stated above or in each products warranty documents, Ecolution Design makes no express or implied warranties as to any product and in particular makes no warranty of fitness for any particular product except for use as standard educational and office furniture. No person, agent or dealer is authorized to give any further warranties on behalf of Ecolution Design unless such warranty is in writing and signed by an officer of Ecolution Design.

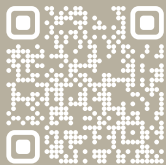
Changes to this Warranty

Our business and the laws that regulate us change from time to time, and we reserve the right to change this Warranty. If we do change this Warranty, we will post the revised version on this site. The time stamp you see on the Warranty will indicate the last date it was revised.

Effective as of 5/1/2024



ecolution
design™



OFFICE & FACTORY
2547 3 Mile Rd NW STE F
Grand Rapids, MI 49534

CONTACT
Phone: (616) 281-5559
Email: info@ecolutiondesign.com